



# 1.1 cu. ft. Low Profile Microwave Hood Combination

## WML55011H



Stainless Steel  
WML55011HS

### Capacity

Total 1.1 cu. ft.

### General Features & Properties

Tap-To-Open Door

Concealed Touch Controls

90° Hinge Door

Popcorn Preset

1,000-Watt Cooking Power

Turntable On/Off Option

Dishwasher-Safe Turntable Plate

Microwave Presets

Add 30 Seconds Option

### Electrical Details

Amps 15

Volts 120

### Technical Details

Microwave Type Over-the-Range

CFMs 400

Lighting Type Halogen

Number of Speeds 3

Venting Type Updraft

### Dimensions

Product Dimensions (H x W x D) 10-5/16" x 29-7/8" x 18"

Depth with Door Open 90° 42-1/8"

Cutout Dimensions (W x D) 30" x 12" minimum

### Reference Material

[Install Guide](#)

[Use & Care Guide](#)

[Warranty](#)

### Also available in:

White **WML55011HW**

Black **WML55011HB**

### Key Features & Benefits

#### Low Profile Design

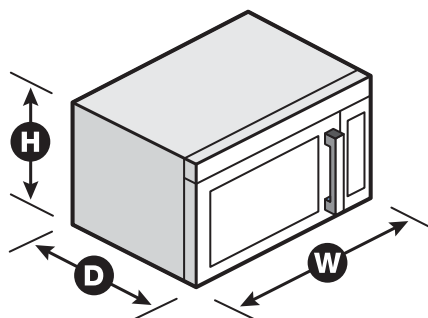
Maximize space by moving your microwave off the countertop with a Low Profile design that fits in the same space as your undercabinet hood.\*

#### Purposeful Capacity

Fit tall glasses, wide plates and big bowls in this low profile microwave that still has enough room for all the essentials with 1.1 cu. ft. of purposeful capacity.

#### 400 CFM Motor Class High Performance Venting

Keep your kitchen smelling like home with 400 CFM motor class high performance venting that quickly gets rid of smoke, odor and moisture.\*\*



\*Based on 24" minimum install for undercabinet hoods and Low Profile Microwave Hood. \*\*Performance varies based on installation. NOTE: Dimensions are for planning purposes only. For complete details, see Installation Instructions packed with product. Specifications subject to change without notice. ©/™ © 2020. All rights reserved. Printed in the U.S.A. D200104XXE. WML55011HSpecSheetV01.