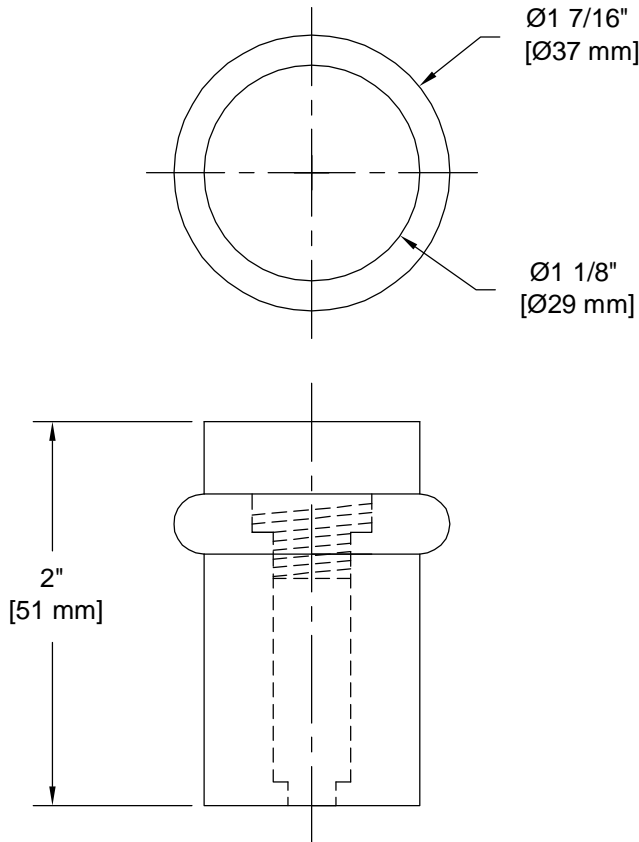


PRODUCT DATA SHEET

Product Description: Door bumper, universal, 2" high. Fabricated from zinc with a US19 matte black finish. Single mounting screw included.



Overall Size: 1 3/8" W X 2" H X 1 3/8" D

Material: Zinc

Finish: US19 Matte Black

Cross Reference

Manufacturer	Part Number



Description:

**Door Bumper, Zinc,
Universal, 2" High**

Part Number:

UFB5000U19

Date

06/21

Rev.

00

Sheet 1 of 1