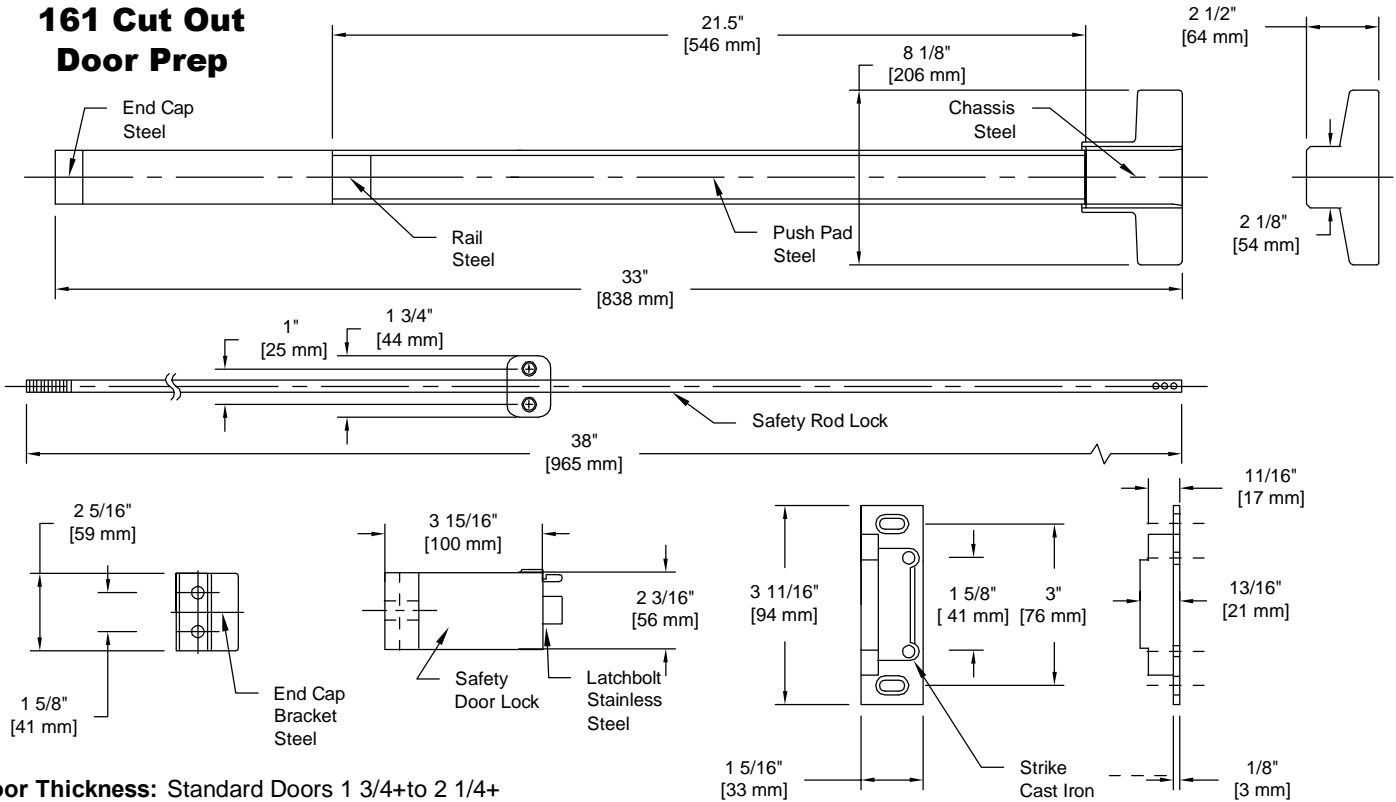


# PRODUCT DATA SHEET

**Product Description:** Surface vertical rod exit device, for 28" to 42" wide doors. UL10C 3 hour fire rated, ANSI A156.3 Grade 1. Non handed. Rail and push pad are fabricated from heavy gauge steel with a duranodic bronze finish. Trim available in the following functions: classroom, storeroom, passage and dummy. Device and trim for 161 standard cut out. Mounting hardware and 239 strike included. ADA compliant.

## Designed For 161 Cut Out Door Prep



**Door Thickness:** Standard Doors 1 3/4" to 2 1/4"

**Latch Bolt:** Stainless Steel 3/4" Throw

**Strike:** 239 Standard

**ANSI/BHMA:** Exit Device: A156.3 Grade 1



**Overall Size:** 33" W X 8 1/8" H X 2 1/2" D

**Material:** Steel, Cast Iron, Stainless Steel

**Finish:** Duranodic Bronze

### Cross Reference

| Manufacturer | Part Number |
|--------------|-------------|
| CAL-ROYAL    | F2260       |



Description:

**Surface Vertical Rod Exit Device, Fire Rated, 32", UL10C, ANSI Grade 1**

Part Number:

**PE55003684VFPB**

Date

09/16

Rev.

02

Sheet 1 of 1