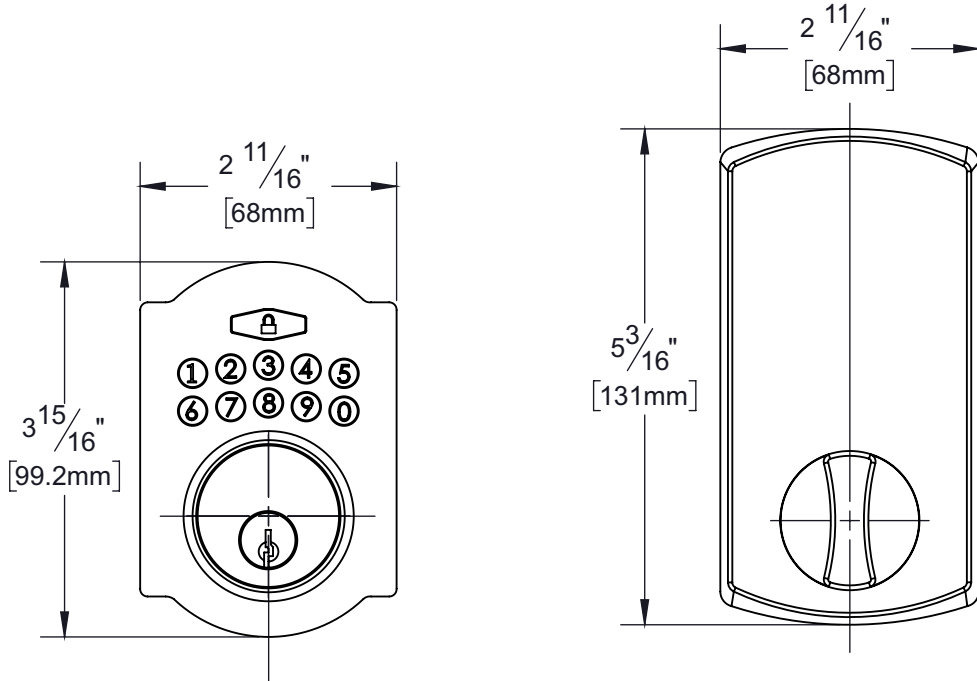


# PRODUCT DATA SHEET

**Product Description:** Residential electronic keyless single cylinder deadbolt. Easily installable on most standard preparation doors as described below. Operates on four AA alkaline batteries (not included). Auto-lock with adjustable delay (10-99 seconds). Unit opens with reprogrammable user code or backup key. User codes include 1 master code and 10 user codes. 2 back up Kwikset type keys included.



- Door Prep:** Cross Bore 2 1/8", Edge Bore 1", Latch Face 1" x 2 1/4"
- Door Thickness:** Fits All 1 3/8" to 1 3/4" Doors
- Plate:** 2 1/4" Full Lip Strike
- Bolt:** 1" Hardened Throw
- ANSI/BHMA:** ANSI/BHMA Grade 3
- Backset:** 2 3/8" or 2 3/4"
- Cylinder:** 55-Pin KW1 Standard

**REKEY OPTIONAL**



**Overall Size:** Keypad: 2 11/16" W X 3 15/16" H X 7/8" D Lock  
Case: 2 11/16" W X 5 3/16" H X 1 11/16" D

**Material:** Die Cast Zinc Outside Body, Stainless Steel Inside Cover, Hardened Steel Bolt

**Finish:** US15 Satin Nickel

**Cross Reference**

Manufacturer	Part Number



Description:  
**Electronic Keyless Deadbolt,  
Arch Top Escutcheon  
ANSI Grade 3**

Part Number: <b>EKD30U15</b>	Date <b>08/17</b>	Rev. <b>00</b>
---------------------------------	----------------------	-------------------