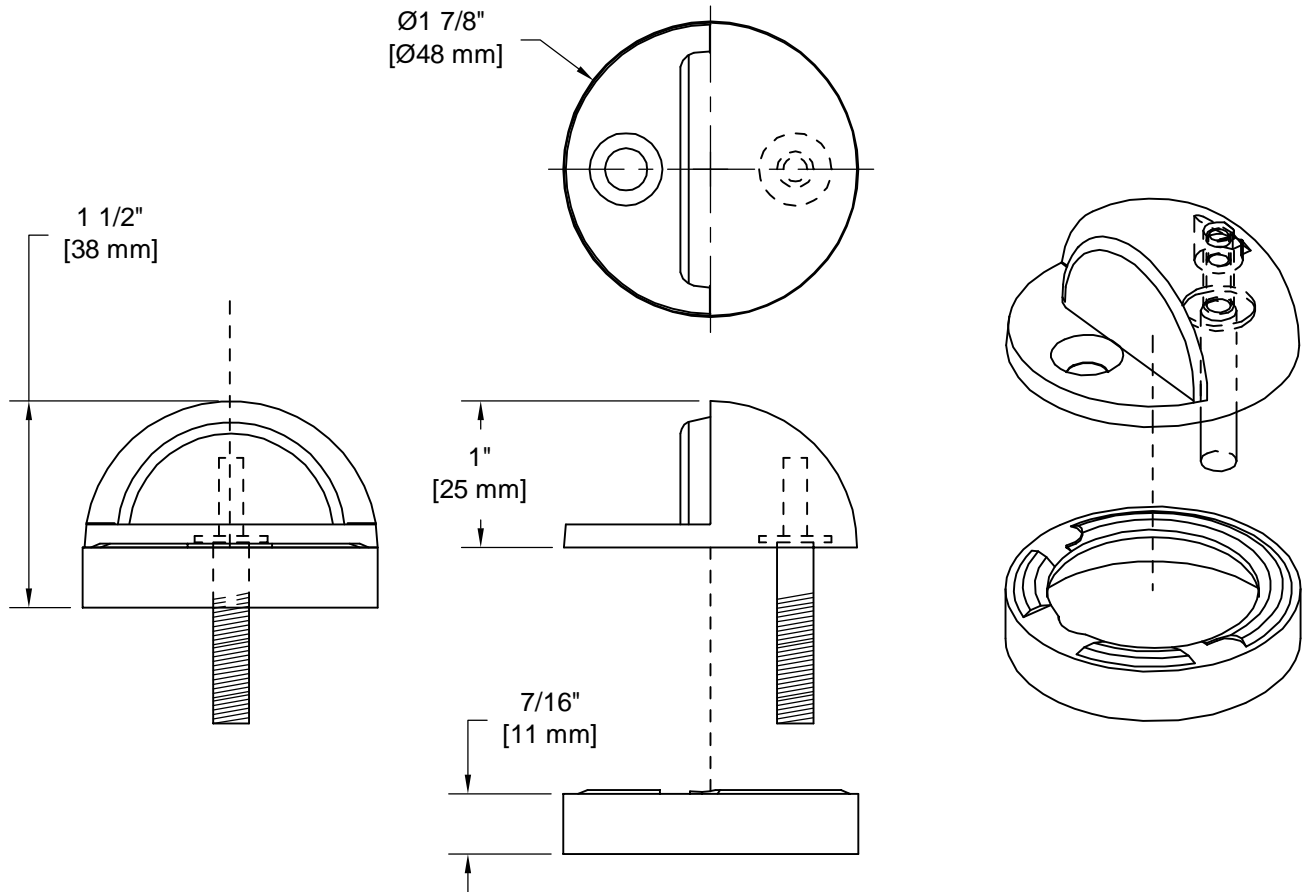


PRODUCT DATA SHEET

Product Description: Dome stop, adjustable high and low profile. Fabricated from die cast zinc with a US26 Chrome finish. Single mounting screw included.



Overall Size: $1\ 7/8"$ W X $1\ 1/2"$ H X $1\ 7/8"$ D

Material: Zinc

Finish: US26 Chrome

Cross Reference

Manufacturer	Part Number



Description:

Dome Stop, Adjustable High And Low Profile



Part Number:

DSHP916U26

Date

09/16

Rev.

01