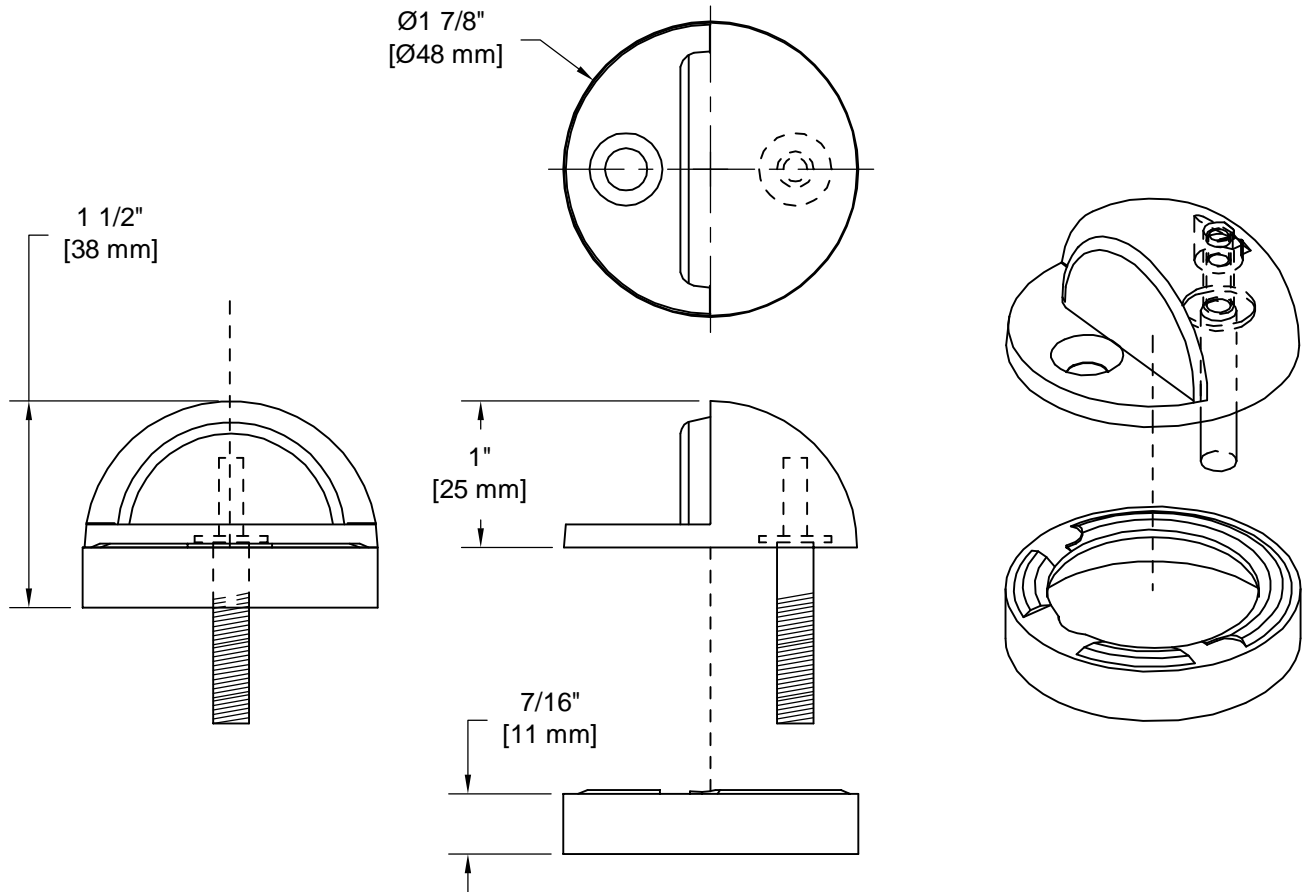


PRODUCT DATA SHEET

Product Description: Dome stop, adjustable high and low profile. Fabricated from die cast zinc with a US10B oil rubbed bronze finish. Single mounting screw included.



Overall Size: $1\ 7/8"$ W X $1\ 1/2"$ H X $1\ 7/8"$ D

Material: Zinc

Finish: US10B Oil Rubbed Bronze

Cross Reference

Manufacturer	Part Number



Description:

Dome Stop, Adjustable High And Low Profile

Part Number:

DSHP916U10B

Date

06/16

Rev.

02

Sheet 1 of 1