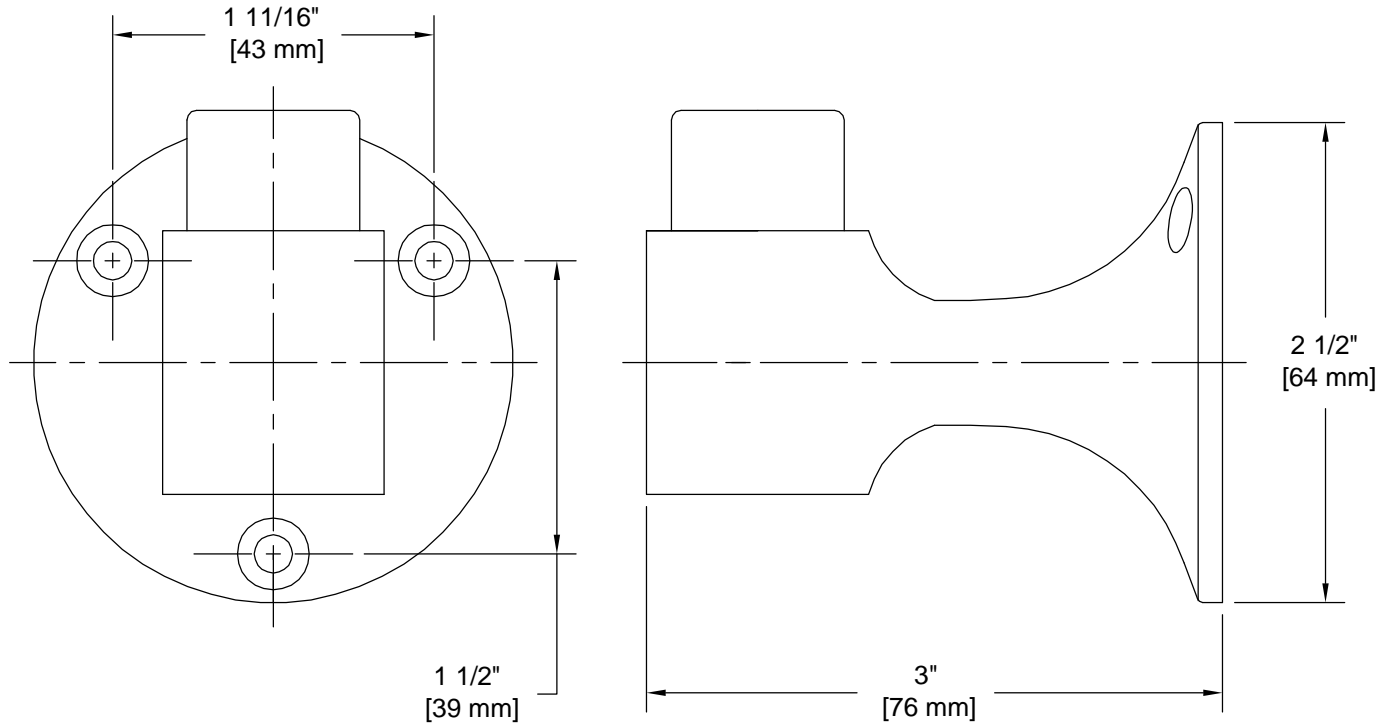


PRODUCT DATA SHEET

Product Description: Door bumper, heavy duty, 3" x 2 1/2". Fabricated from die cast zinc with a US10B oil rubbed bronze finish. Mounting hardware: Three 1" length brass screws included.



Overall Size: 2 1/2" W X 2 1/2" H X 3" D

Material: Zinc

Finish: US10B Oil Rubbed Bronze

Cross Reference

Manufacturer	Part Number



Description:

Door Bumper, Heavy Duty, 3" X 2 1/2"

Part Number:	Date	Rev.
DSF3225U10B	09/16	04
Sheet 1 of 1		