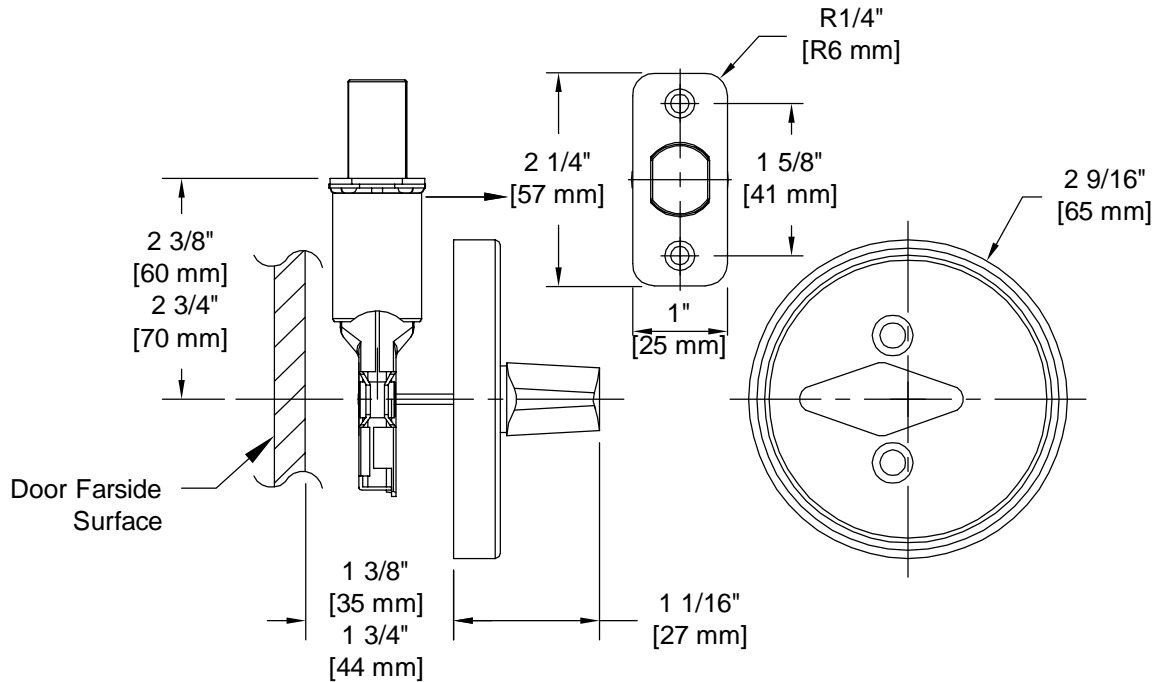


PRODUCT DATA SHEET

Product Description: Dead bolt door lock, keyless, single sided. ANSI Grade 3 dead bolt. Escutcheons are brass with a US15 satin nickel finish. Internal mechanism fabricated from hardened steel with a zinc dichromate corrosion preventive finish. Thumbscrew turn opens inside. Ships with mounting hardware. Lock ships with mortise latch. Optional drive in latch (product #87396) and UL10C fire rated latch (product #87374) available.



Door Prep: Cross Bore 2 1/8+, Edge Bore 1+, Mortise Latch Face 1+x 2 1/4+, Optional Drive In Latch 1" Diameter Drilled Hole
Latches: Ships With Mortise Latch As Shown Above. Optional Drive In Or UL10C Fire Rated Latches Available
Backset: Adjustable Latch to 2 3/8+or 2 3/4+
Door Thickness: Fit all 1 3/8+- 1 3/4+Standard Doors
Strike Plate: 2 1/4+Full Lip Strike
Bolt: 1+Throw



Overall Size: 2 9/16" W X 2 9/16" H X 1 1/16" D

Material: Brass Escutcheons, Hardened Steel Mechanism

Finish: US15 Satin Nickel



Cross Reference

Manufacturer	Part Number



Description:

Dead Bolt, Keyless, Single Sided, ANSI Grade 3

Part Number:

87384

Date

09/16

Rev.

03