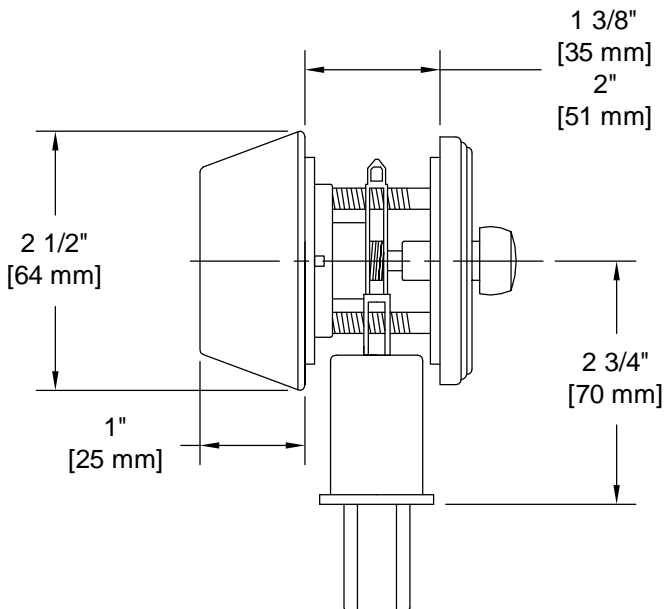


PRODUCT DATA SHEET

Product Description: ANSI Grade 2 commercial single cylinder deadbolt. Schlage "SC 4 Keyway". Latch case and mechanism are fabricated from steel. Thumb turn and escutcheon are fabricated from forged brass in a US26D satin chrome finish. Locked or unlocked by key outside or center turn piece inside. UL10C 3 hour fire rated. Ships with mounting hardware. 2 3/8" latch (product #CDL60MM) sold separately.



Door Prep: Cross Bore 2 1/8+, Edge Bore 1+, Latch Face 1 1/8+x 2 1/4+
Backset: 2 3/4+
Door Thickness: Standard Doors 1 3/8+to 2+
Cylinder: 6-Pin Removable Core
Strike Plate: 2 3/4" Square Corner Standard
Bolt: 1" Throw, Nickel Plated
ANSI/BHMA: A156.5 Grade 2

REKEY OPTIONAL



Overall Size: 2 1/2" W X 2 1/2" H X 1" D

Material: Brass Thumb Turn/Escutcheon, Steel Latch Case/Mechanism

Finish: US26D Satin Chrome

Cross Reference

Manufacturer	Part Number



Description:
Dead Bolt, Single Cylinder, Schlage "SC 4", UL 10C, ANSI Grade 2

Part Number:	Date	Rev.
86512	06/16	04
Sheet 1 of 1		