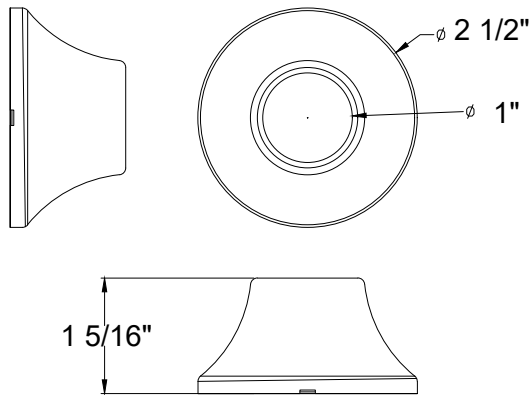
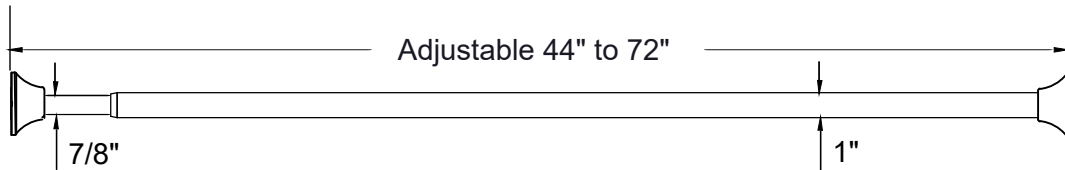


PRODUCT DATA SHEET

Product Description: Stainless steel adjustable tension shower curtain rod, round escutcheon. Length adjusts from 44" to 72". Rod is a 1" diameter. Allows for quick & easy installation without drilling holes in the wall. Shower rod and flanges are fabricated from stainless steel with a US32 polished stainless steel finish. Used for standard 5' to 6' tubs.



Overall Size: 72" W X 1 5/16" H X 2 1/2" D	
Material: Stainless Steel	
Finish: US32 Polished Stainless Steel	
Cross Reference	
Manufacturer	Part Number



Description:
Straight Tension Shower Rod, Stainless Steel, Adjustable, 5' To 6'

Part Number:	Date	Rev.
51473	5/21	00
Sheet 1 of 1		