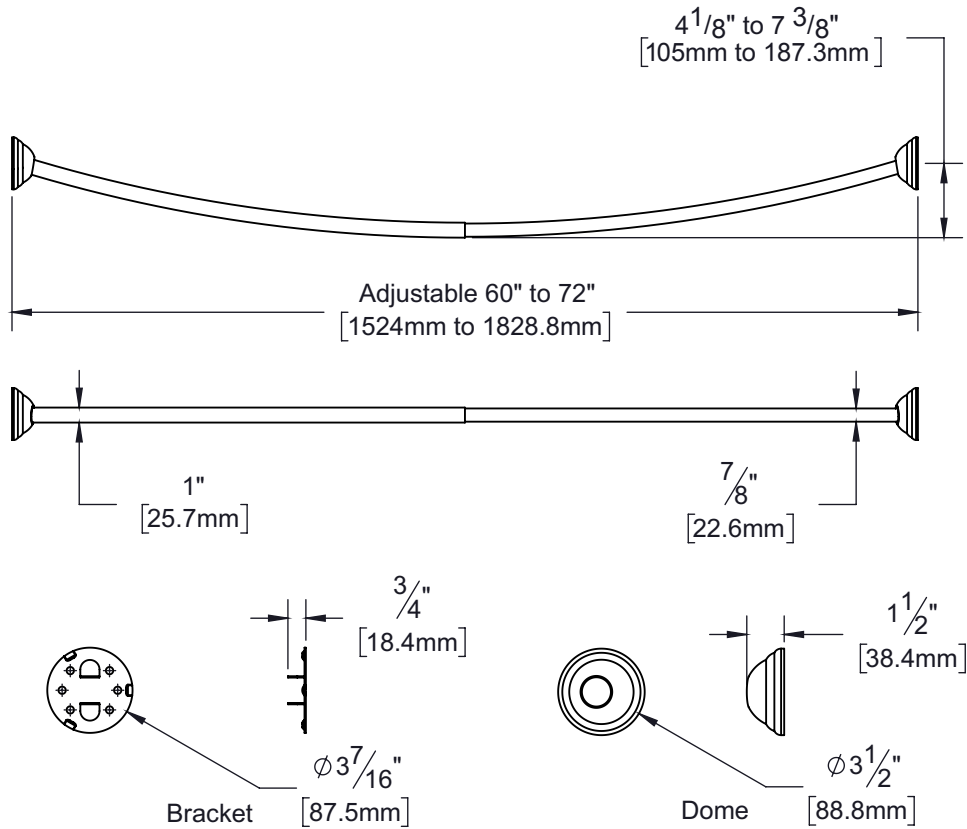


# PRODUCT DATA SHEET

**Product Description:** Stainless steel curved shower curtain rod, length adjusts from 5' to 6'. Rod is a 1" diameter. Shower rod and flanges are fabricated from stainless steel with a US32D satin stainless steel finish. Used for standard or oval 5' to 6' tubs and adjusts from 54" to 72" wide. Mounting hardware for both drywall and tile installation included.



**Overall Size:** 72" W X 3 1/2" H X 7 3/8" D

**Material:** Stainless Steel

**Finish:** US32D Satin Stainless Steel

### Cross Reference

Manufacturer	Part Number



Description:

**Curved Shower Rod,  
Stainless Steel,  
Adjustable, 5' To 6'**

Part Number:

**5146208**

Date

11/18

Rev.

02