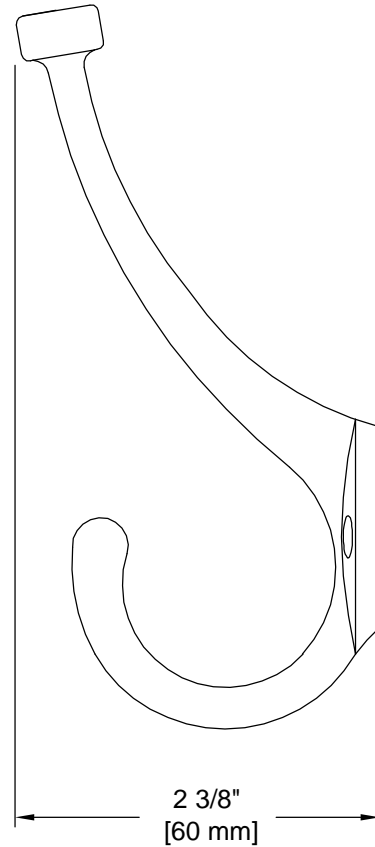
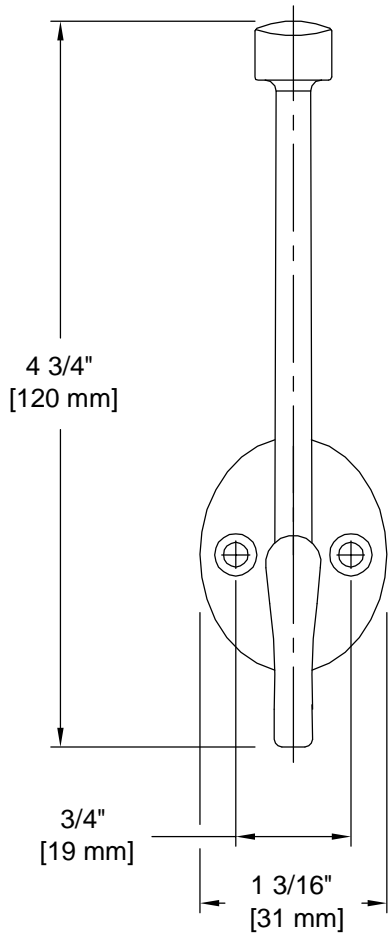


PRODUCT DATA SHEET

Product Description: Coat and hat hook fabricated from zinc in a US19 matte black finish. Large 4 1/2" projection is perfect for heavier coats and bath robes. Ships with mounting hardware.



Overall Size: 1 3/16" W X 4 3/4" H X 2 3/8" D

Material: Zinc

Finish: US19 Matte Black

Cross Reference

Manufacturer	Part Number



Description:

**Robe And Coat Hook,
Zinc, 4 1/2" Projection**

Part Number:

36641

Date

06/21

Rev.

00

Sheet 1 of 1