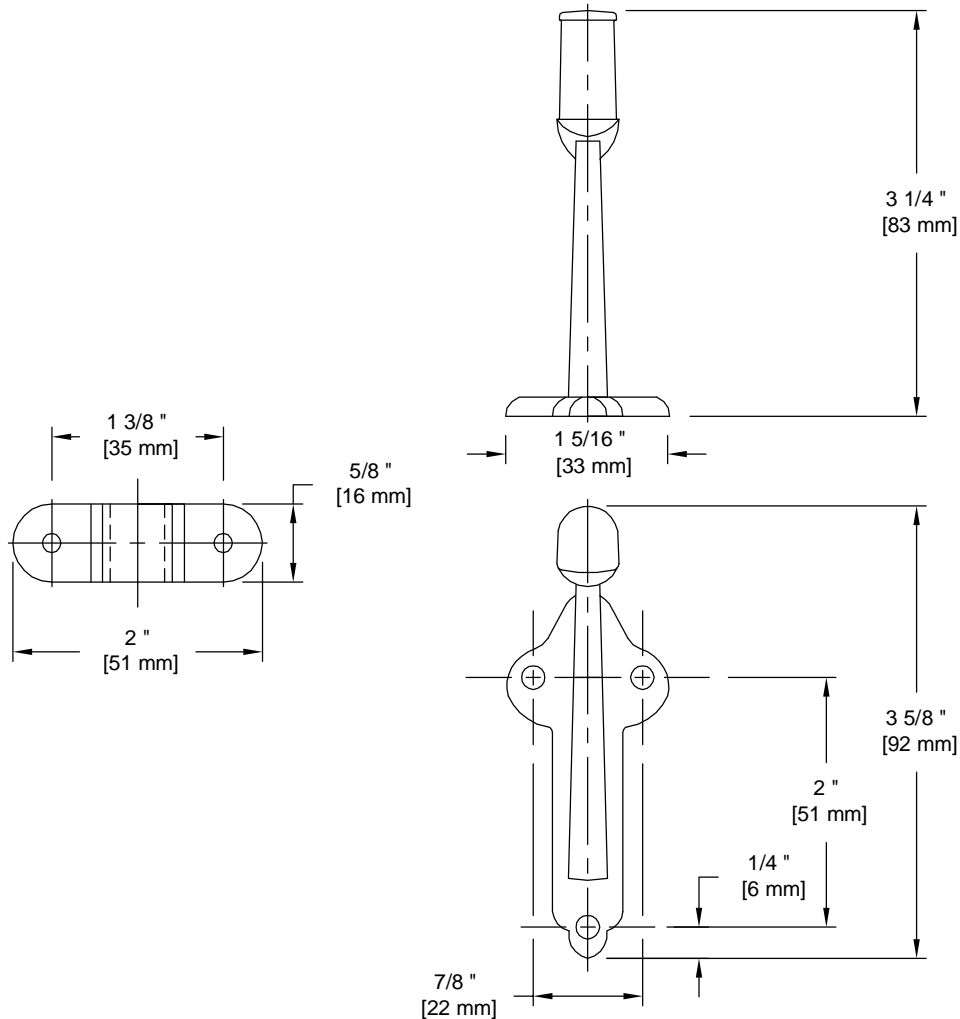


# PRODUCT DATA SHEET

**Product Description:** Heavy duty handrail bracket. Fabricated from zinc with a US19 matte black finish. Ships with mounting hardware.



**Overall Size:** 1 5/16" W X 3 5/8" H X 3 1/4" D

**Material:** Zinc

**Finish:** US19 Matte Black

### Cross Reference

Manufacturer	Part Number



Description:

**Handrail Bracket, Zinc,  
Heavy Duty**

Part Number:

36640

Date

03/19

Rev.

00

Sheet 1 of 1