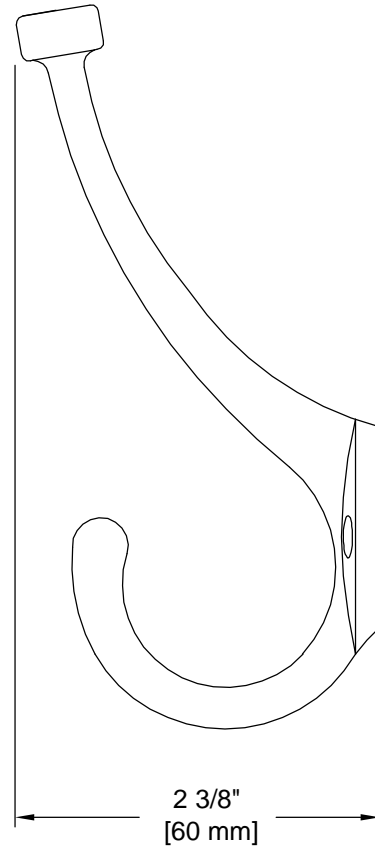
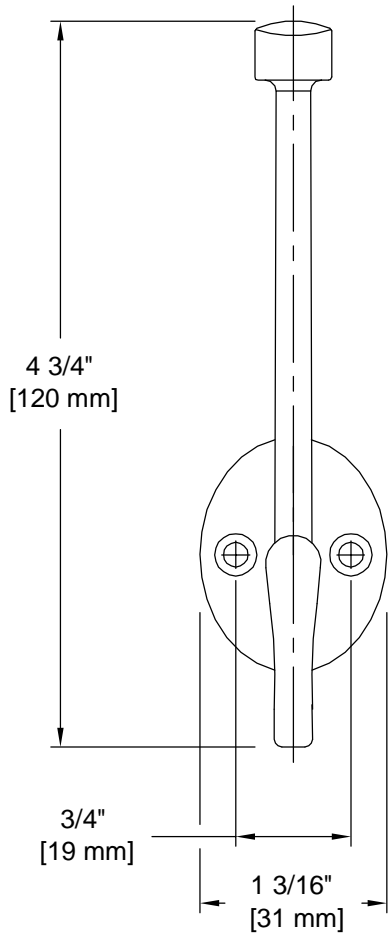


# PRODUCT DATA SHEET

**Product Description:** Coat and hat hook fabricated from zinc in a US15 satin nickel finish. Large 4 1/2" projection is perfect for heavier coats and bath robes. Ships with mounting hardware.



**Overall Size:** 1 3/16" W X 4 3/4" H X 2 3/8" D

**Material:** Zinc

**Finish:** US15 Satin Nickel

### Cross Reference

Manufacturer	Part Number



Description:

**Robe And Coat Hook,  
Zinc, 4 1/2" Projection**

Part Number:

36629

Date

06/16

Rev.

03

Sheet 1 of 1