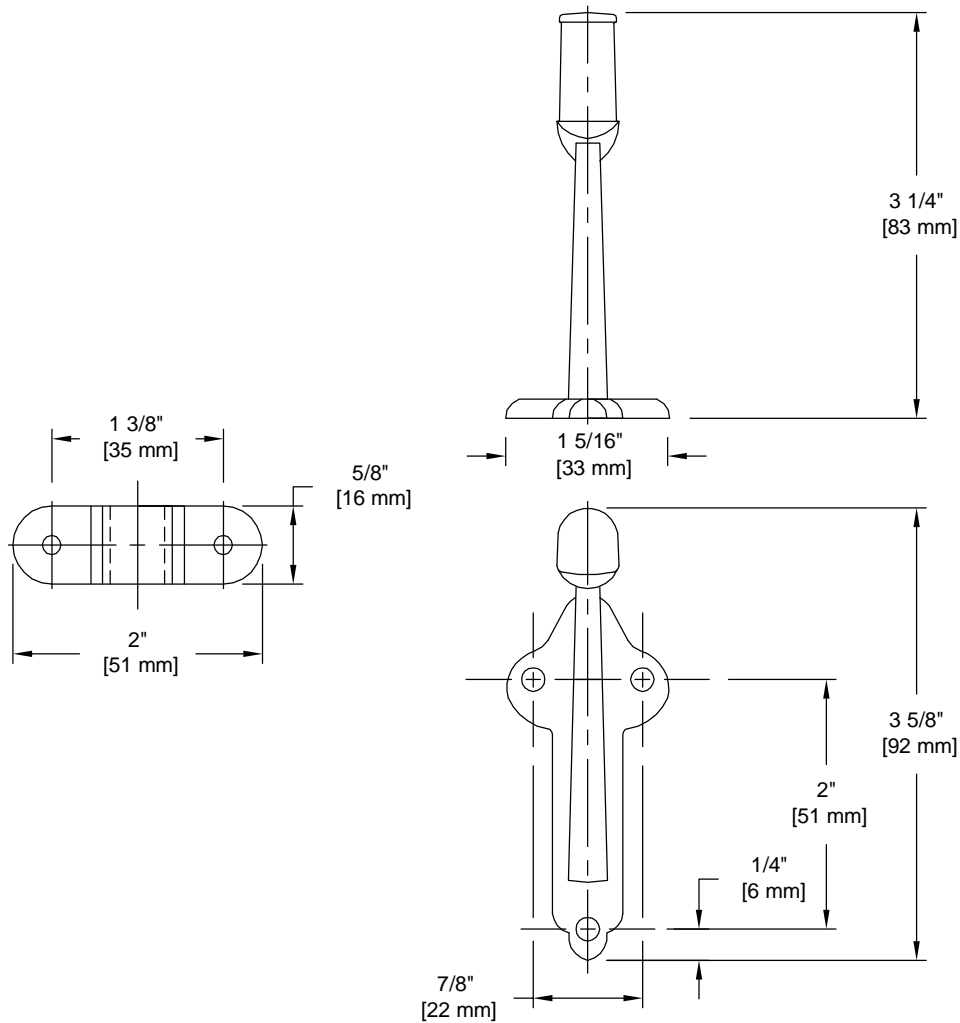


# PRODUCT DATA SHEET

**Product Description:** Heavy duty handrail bracket. Fabricated from zinc with a US26 bright chrome finish. Ships with mounting hardware.



**Overall Size:** 1 5/16" W X 3 5/8" H X 3 1/4" D

**Material:** Zinc

**Finish:** US26 Bright Chrome

### Cross Reference

| Manufacturer | Part Number |
|--------------|-------------|
|              |             |
|              |             |
|              |             |



Description:

**Handrail Bracket, Zinc,  
Heavy Duty**

Part Number:

36619

Date

06/16

Rev.

04

Sheet 1 of 1