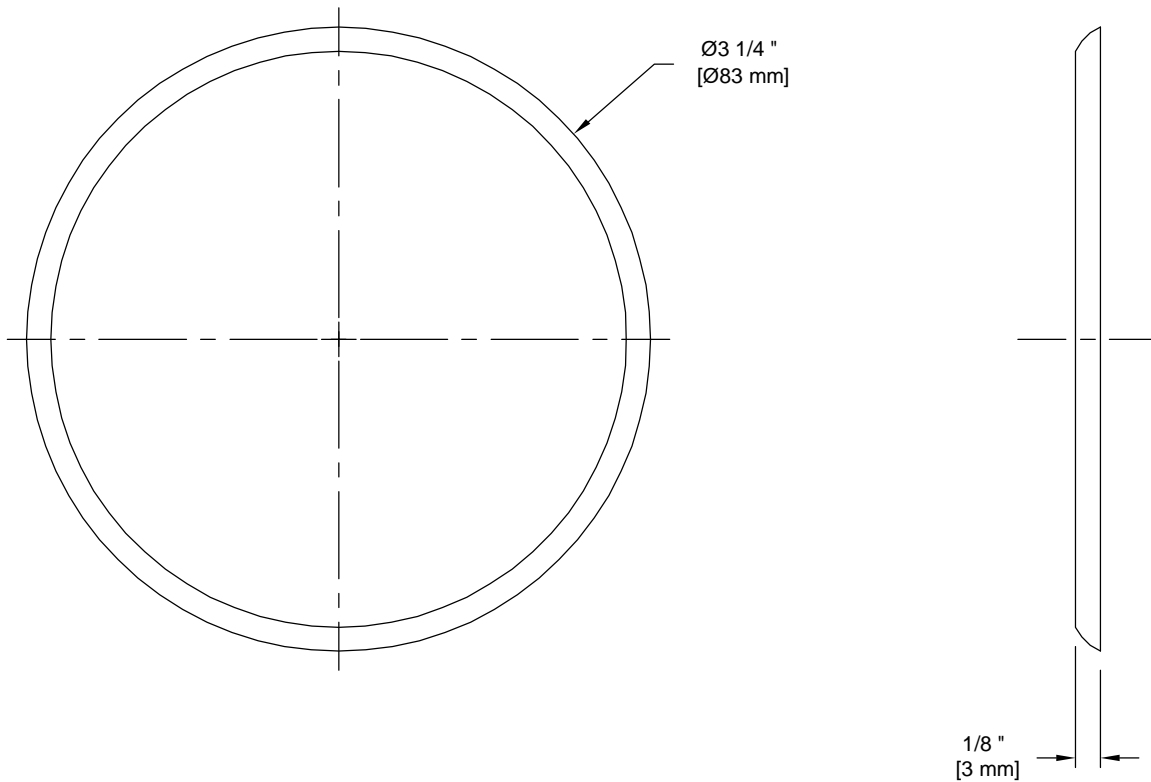


PRODUCT DATA SHEET

Product Description: Plastic wall protector with adhesive, 3 1/4" diameter. Fabricated from plastic with a bone finish.



Overall Size: 3 1/4" W X 3 1/4" H X 1/8" D

Material: Plastic

Finish: Bone

Cross Reference

Manufacturer	Part Number



Description:

**Wall Protector, Plastic,
Adhesive, 3 1/4" Diameter**

Part Number:

36612

Date

06/16

Rev.

03