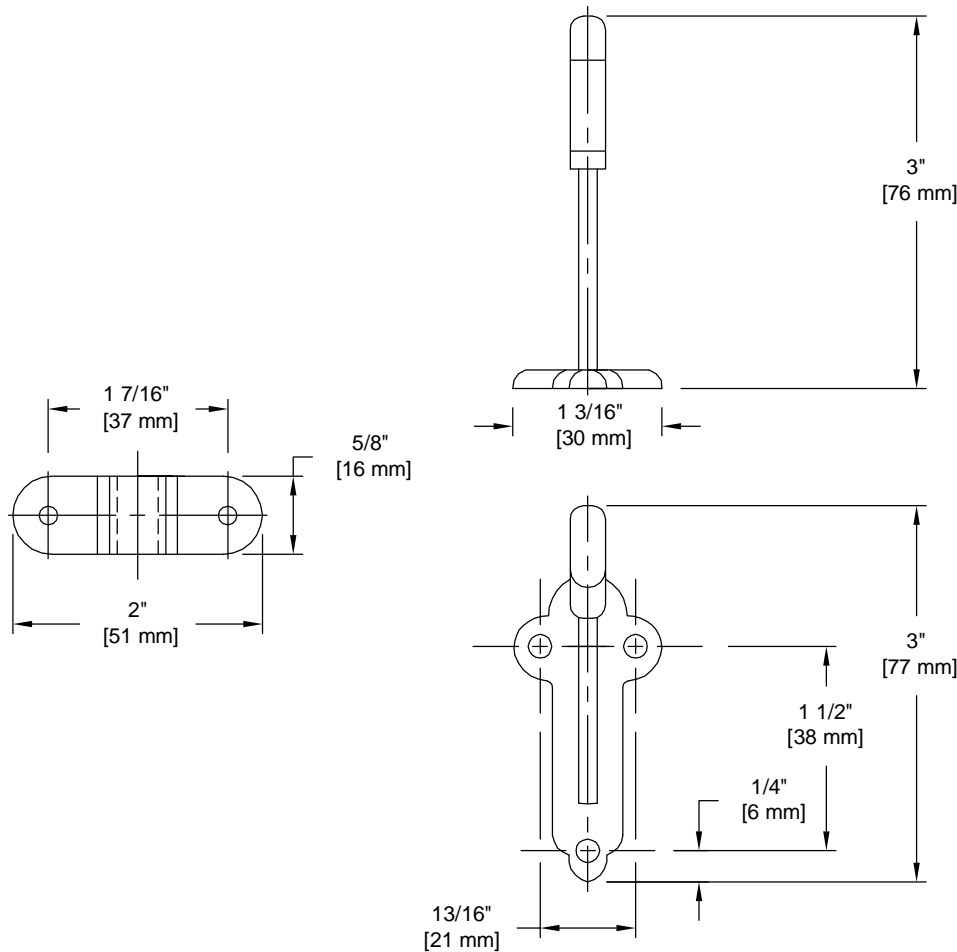


PRODUCT DATA SHEET

Product Description: Economy handrail bracket. Fabricated from zinc with a US26 bright chrome finish. Ships with mounting hardware.



Overall Size: 1 3/16" W X 3" H X 3" D

Material: Zinc

Finish: US26 Bright Chrome

Cross Reference

Manufacturer	Part Number



Description:

Handrail Bracket, Zinc, Economy

Part Number:

36606

Date

06/16

Rev.

03

Sheet 1 of 1