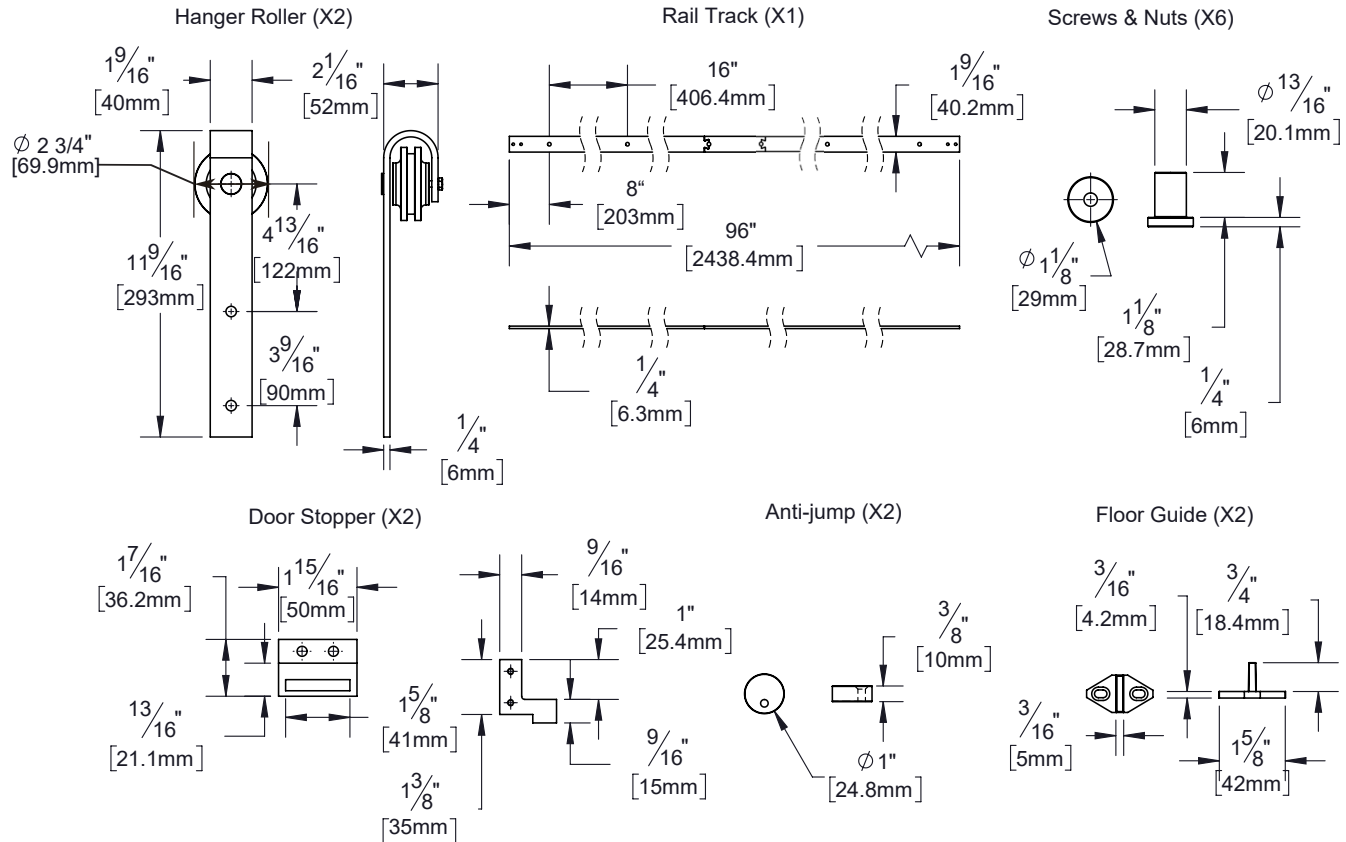


PRODUCT DATA SHEET

Product Description: Barn door hardware standard mounting kit is designed to hang wooden doors on wall-mounted track. Ideal for openings up to 48" wide. Fabricated from steel with a US15 satin nickel finish. Kit includes 2, 40" long tracks (40" long x 2" wide x 1/4" thick) and 1, 16" long tracks (16" long x 2" wide x 1/4" thick). Mounting kit is designed for single doors up to 48" wide, 1 3/8" to 1 3/4" thick weighting up to 220 lbs. Minimum 7" of clearance above opening is required. Rail track is 1 3/8" projected from wall. Hanger roller wheels provide excellent strength and durability as well as smooth travel. Anti-jump discs prevent hanger wheels from slipping off track. Soft close kit (product #36323) and rail track connector (product #36327) are sold separately. All mounting hardware included.



Overall Size: 96" W X 1 9/16" H X 1/4" D

Material: Solid Forged Steel

Finish: US15 Satin Nickel

Cross Reference

| Manufacturer | Part Number |
|--------------|-------------|
| | |
| | |
| | |



| | | |
|--|------|------|
| Description: | | |
| Barn Door Hardware, Standard Kit, 96" | | |
| Part Number: | Date | Rev. |
| 36331 | 5/21 | 00 |
| Sheet 1 of 1 | | |