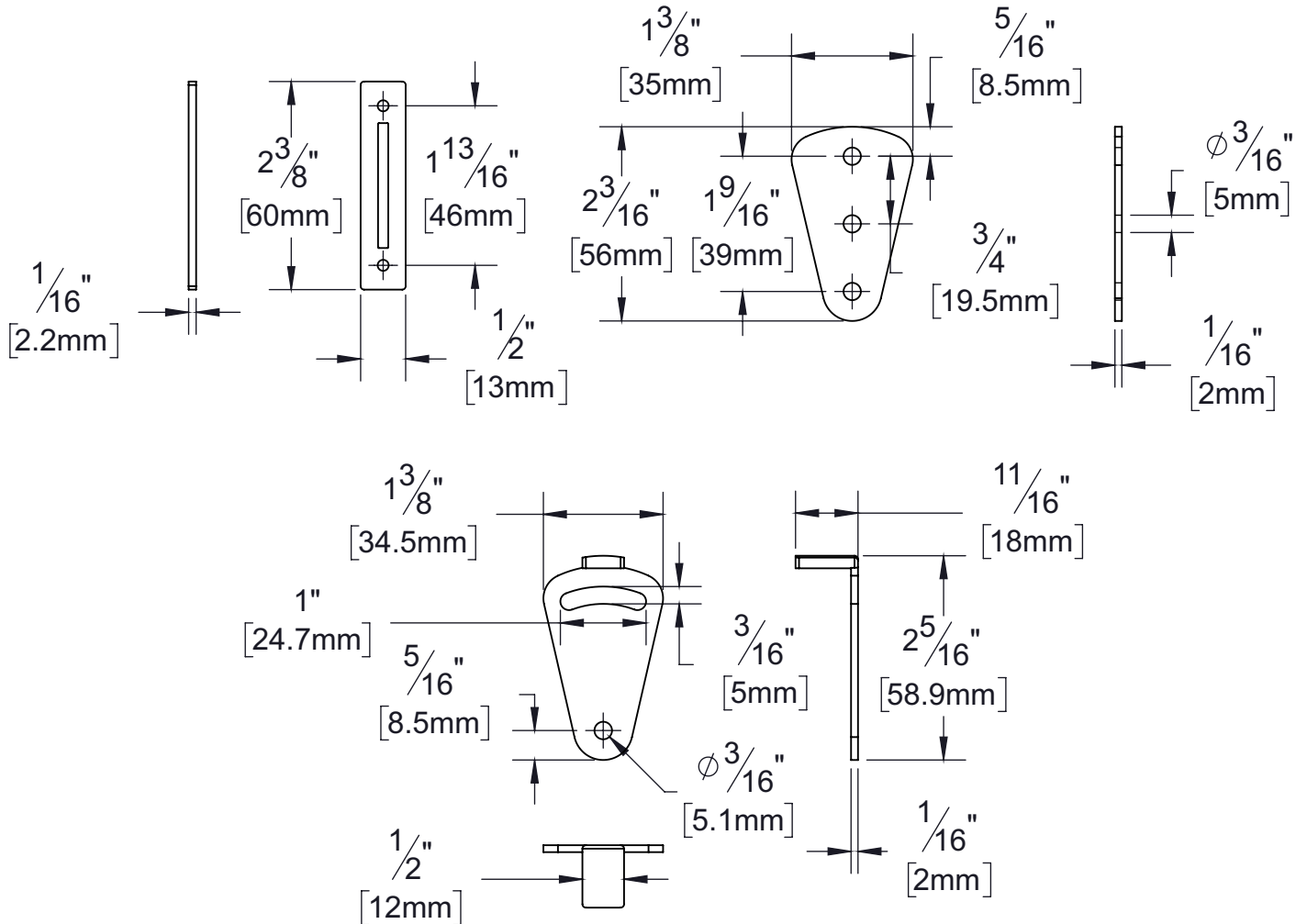


# PRODUCT DATA SHEET

**Product Description:** Barn door privacy lock tear drop is designed for interior applications where privacy is desired. Fabricated from steel with a US15 satin nickel finish. The lock mounts to the door or the jamb. All mounting hardware included.



**Overall Size:** 1 3/8" W X 1 9/16" H X 1/16" D

**Material:** Steel

**Finish:** US15 Satin Nickel

### Cross Reference

Manufacturer	Part Number



Description:

**Barn Door Privacy Lock, Tear Drop**

Part Number:

**36315**

Date

Rev.