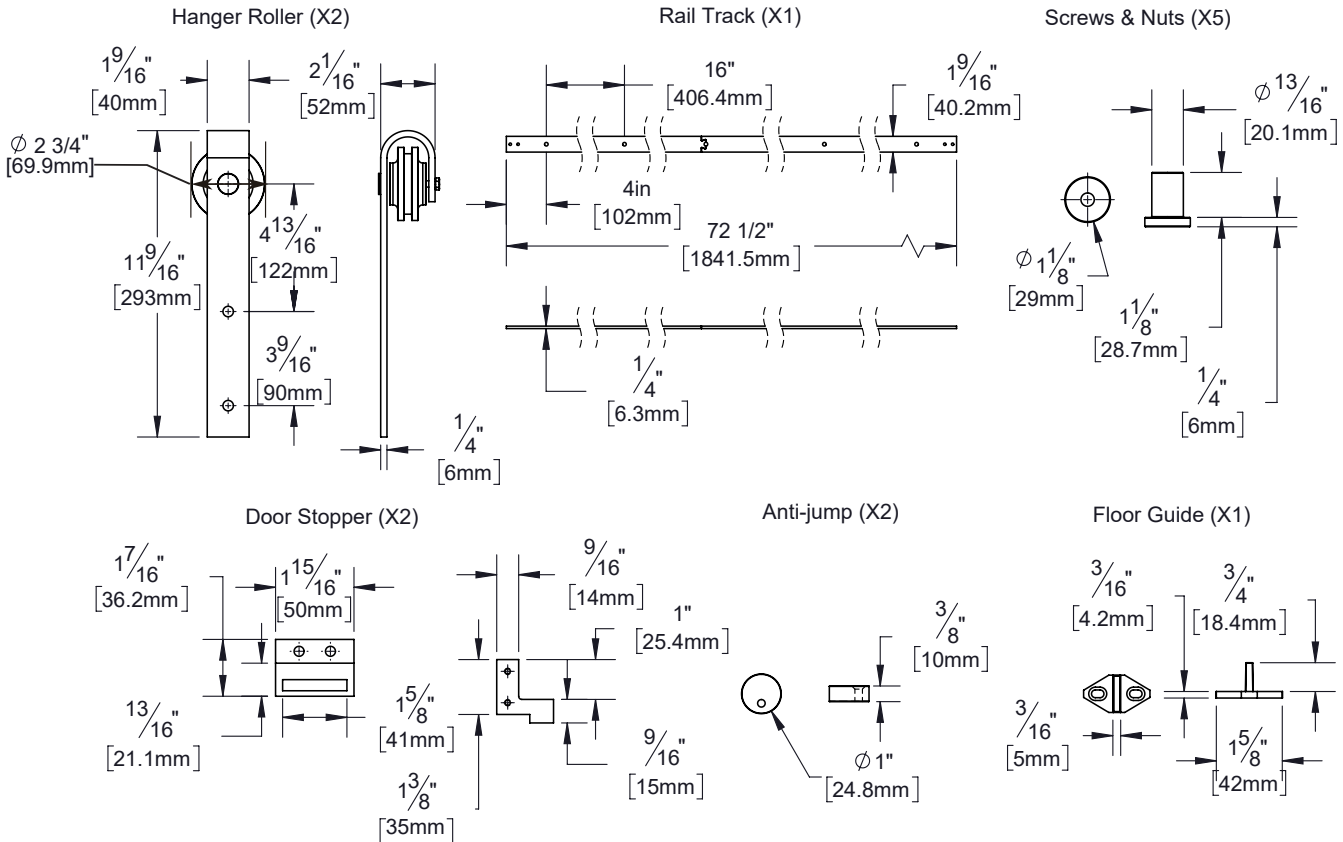


PRODUCT DATA SHEET

Product Description: Barn door hardware standard mounting kit is designed to hang wooden doors on wall-mounted track. Ideal for openings up to 36" wide. Fabricated from steel with a US15 satin nickel finish. Kit includes 2, 36" long tracks (36" long x 2" wide x 1/4" thick). Mounting kit is designed for single doors up to 36" wide, 1 3/8" to 1 3/4" thick weighting up to 220 lbs. Minimum 7" of clearance above opening is required. Rail track is 1 3/8" projected from wall. Hanger roller wheels provide excellent strength and durability as well as smooth travel. Anti-jump discs prevent hanger wheels from slipping off track. Soft close kit (product #36322) and rail track connector (product #36326) are sold separately. All mounting hardware included.



Overall Size: 72 1/2" W X 1 9/16" H X 1/4" D

Material: Solid Forged Steel

Finish: US15 Satn Nickel

Cross Reference

Manufacturer	Part Number



Description:

**Barn Door Hardware,
Standard Kit**

Part Number:

36311

Date

Rev.

Sheet 1 of 1