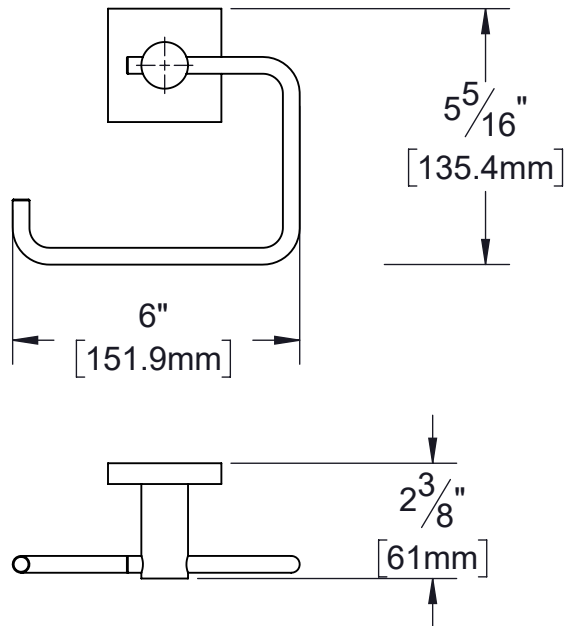


PRODUCT DATA SHEET

Product Description: European surface toilet tissue holder, Daytona. Post is fabricated from die cast zinc, arm is steel with a US15 satin nickel finish. Ships with mounting hardware.



Overall Size: 6" W X 5 5/16" H X 2 3/8" D

Material: Die Cast Zinc, Steel

Finish: US15 Satin Nickel

Cross Reference

Manufacturer	Part Number



Description:

**Toilet Tissue Holder,
European, Daytona**

Part Number:

15821

Date

02/19

Rev.

00