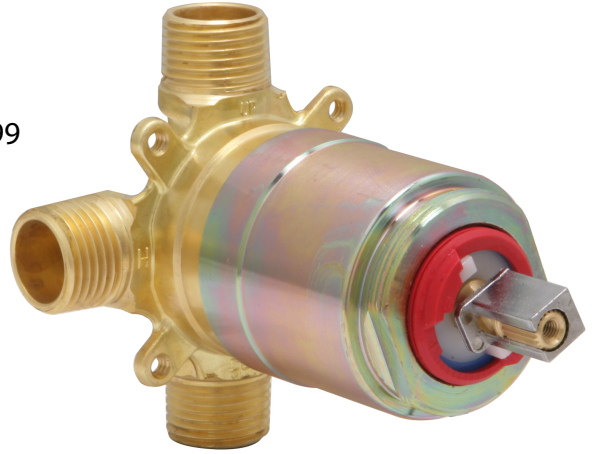


Shower valve rough in - P1023199

Description

- Ceramic disc valve
- Pressure Balanced cartridge
- Forged brass valve body
- Universal 1/2" IPS and 1/2" CC fittings
- Back to back installation
- 4 Anchor points for face plate installation and blocking to secure valve in wall

P1023199



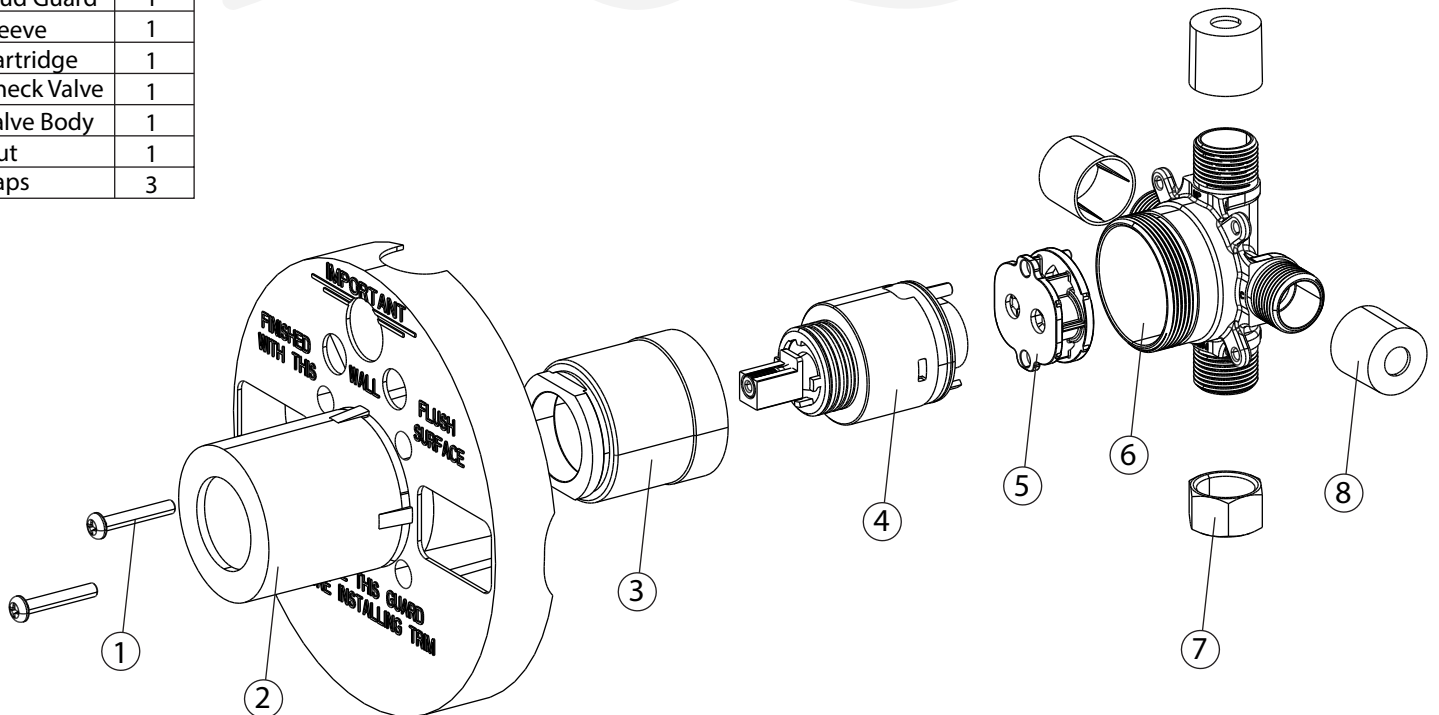
Standards

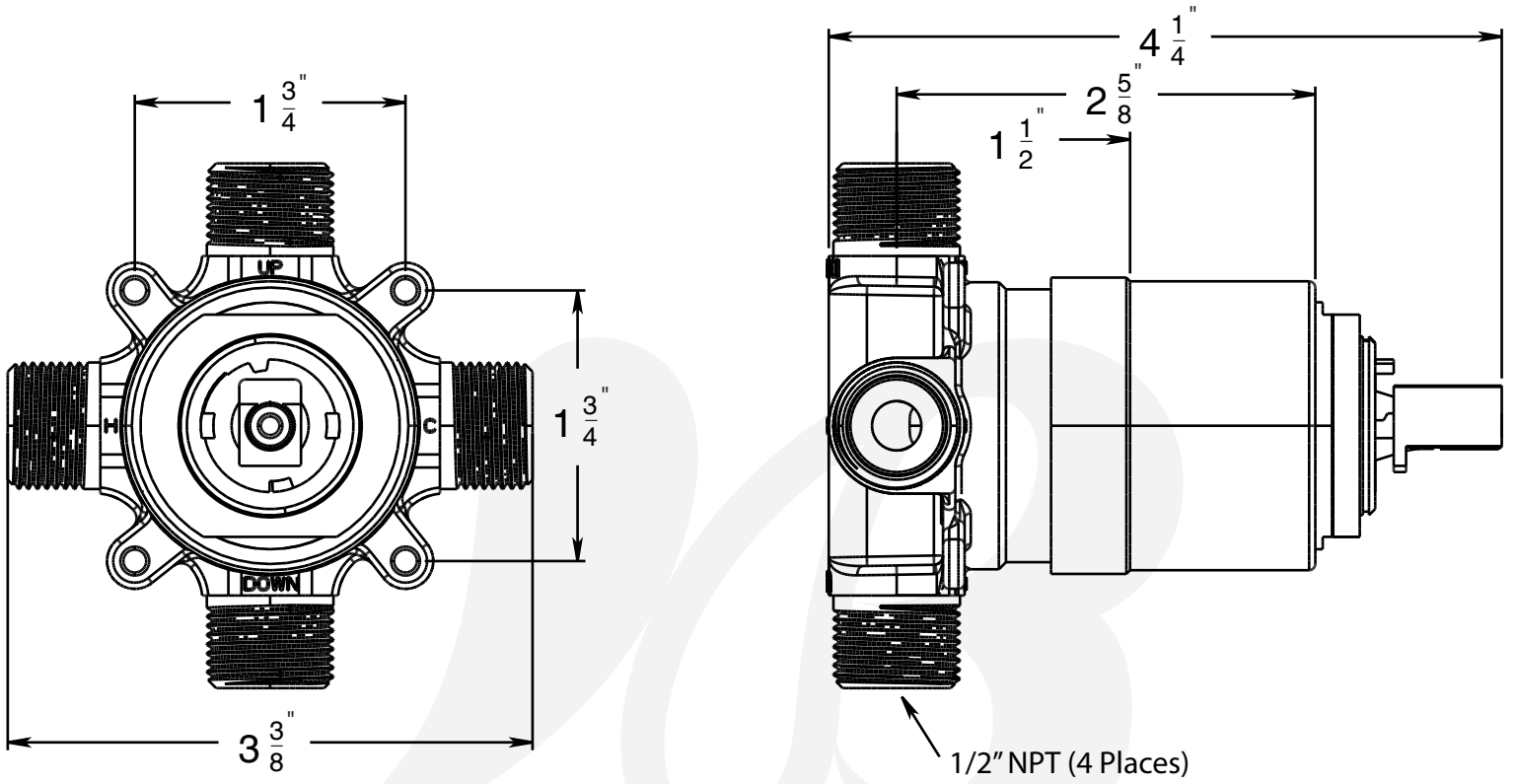
- Complies with IAPMO UPC/cUPC
- ASSE 1016-2011 compliant



BREAK DOWN
Component Parts List

NO.	Description	Qty
01	Screws	2
02	Mud Guard	1
03	Sleeve	1
04	Cartridge	1
05	Check Valve	1
06	Valve Body	1
07	Nut	1
08	Caps	3





Item Number	Type	Date
P1023199	Rough-in Valve	12/12/15