

May 2019

RPC Clips

Product

Rapid Positioning Mounting Clips

Application

For refrigeration, A/C tubing, PEX piping, conduits and cabling support.

Purpose

RPC clips are designed to fasten and secure tubing, pipes, conduits and cables onto standard size strut channels and threaded rods.

Advantages

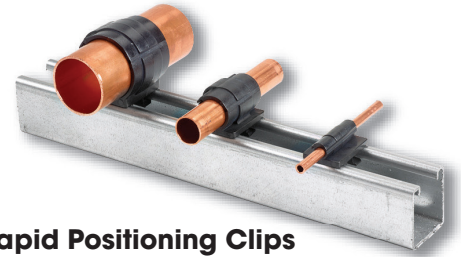
The RPC line of mounting clips are cost effective and time saving solutions for refrigeration, A/C tubing, PEX piping, conduits and cabling support. Their unique, simple and effective one-piece design requires no tools and they are 20 times faster to install when compared to the traditional mounting clamps.

Features

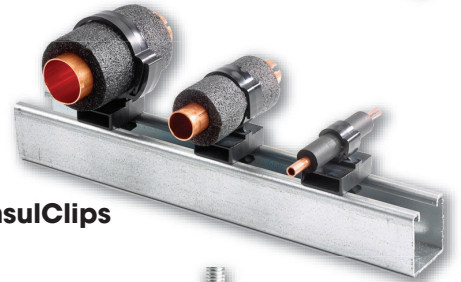
- Fast installation, 20 times faster!
- No tools required!
- Fit onto standard size strut channel or threaded rods.
- Strong and lightweight, made of composite polyamide (Nylon) alloy.
- Meets UL2043 requirements, plenum rated.
- Heat, light and U.V. stabilized for outdoor use.

Specifications

Materials	Polyamide Alloy (Nylon), Black
Working Temperature	-40F to 284F (-40C to 140C)
For 1-5/8" Wide Strut Channel	Rapid Positioning Clips, InsulClips, Cable Tie Channel Clips
For 5/16" (M8) Threaded Rod	Studded Clips, SC08-xx Series
For 3/8" (M10) Threaded Rod	Studded Clips, SC10-xx Series
For Tube Outer Diameter (OD)	Rapid Positioning Clips, 1/2" to 1-5/8" OD InsulClips, 5/8" to 2-1/8" OD Studded Clips, 5/8" to 2-1/8" OD
Cable Tie Width	Up to 11/16" (17mm), for Cable Tie Channel Clips Only
Flammability Rating	UL94 HB Rated
Certification	UL2043, Plenum Rated
Tube OD Calculation for Insulated Pipes	Tube OD = Pipe OD + (2X Insulation Wall Thickness)



Rapid Positioning Clips



InsulClips



Studded Clips



Cable Tie Channel Clips



Flat Surface Mount Adapter



Rapid Positioning Clips

Item Number	Tube OD	UOM	OM
RPC-0014	1/4"	10-Pack	1
RPC-0038	3/8"	10-Pack	1
RPC-0012	1/2"	10-Pack	1
RPC-0058	5/8"	10-Pack	1
RPC-0034	3/4"	10-Pack	1
RPC-0078	7/8"	10-Pack	1
RPC-0118	1-1/8"	10-Pack	1
RPC-0138	1-3/8"	10-Pack	1
RPC-0158	1-5/8"	10-Pack	1

*Add "-100" to the end of part numbers for 100 pieces pack.



InsulClips

Item Number	Tube OD	UOM	OM
IC00-15	5/8"	10-Pack	1
IC00-20	3/4"	10-Pack	1
IC00-22	7/8"	10-Pack	1
IC00-25	1"	10-Pack	1
IC00-28	1-1/8"	10-Pack	1
IC00-32	1-1/4"	10-Pack	1
IC00-35	1-3/8"	10-Pack	1
IC00-40	1-1/2"	10-Pack	1
IC00-42	1-5/8"	10-Pack	1
IC00-50	2"	10-Pack	1
IC00-54	2-1/8"	10-Pack	1

*Add "-100" to the end of part numbers for 100 pieces pack.



Studded Clips

Item No.	Rod size	Tube OD	UOM	OM
SC08-15	5/16"	5/8"	10-Pack	1
SC08-20	5/16"	3/4"	10-Pack	1
SC08-22	5/16"	7/8"	10-Pack	1
SC08-25	5/16"	1"	10-Pack	1
SC08-28	5/16"	1-1/8"	10-Pack	1
SC08-32	5/16"	1-1/4"	10-Pack	1
SC08-35	5/16"	1-3/8"	10-Pack	1
SC08-40	5/16"	1-1/2"	10-Pack	1
SC08-42	5/16"	1-5/8"	10-Pack	1
SC08-50	5/16"	2"	10-Pack	1
SC08-54	5/16"	2-1/8"	10-Pack	1
SC10-15	3/8"	5/8"	10-Pack	1
SC10-20	3/8"	3/4"	10-Pack	1
SC10-22	3/8"	7/8"	10-Pack	1
SC10-25	3/8"	1"	10-Pack	1
SC10-28	3/8"	1-1/8"	10-Pack	1
SC10-32	3/8"	1-1/4"	10-Pack	1
SC10-35	3/8"	1-3/8"	10-Pack	1
SC10-40	3/8"	1-1/2"	10-Pack	1
SC10-42	3/8"	1-5/8"	10-Pack	1
SC10-50	3/8"	2"	10-Pack	1
SC10-54	3/8"	2-1/8"	10-Pack	1

*Add "-100" to the end of part numbers for 100 pieces pack.



Cable Tie Channel Clips

Item Number	Length	UOM	OM
CTC-050	2"	10-Pack	1
CTC-065	2-1/2"	10-Pack	1
CTC-080	3"	10-Pack	1

*Add "-100" to the end of part numbers for 100 pieces pack.



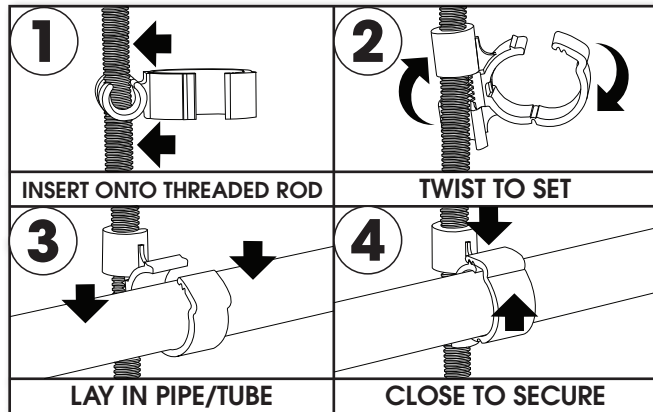
Flat Surface Mount Adapter

Item Number	Length	UOM	OM
RPC-FB	3"	10-Pack	1

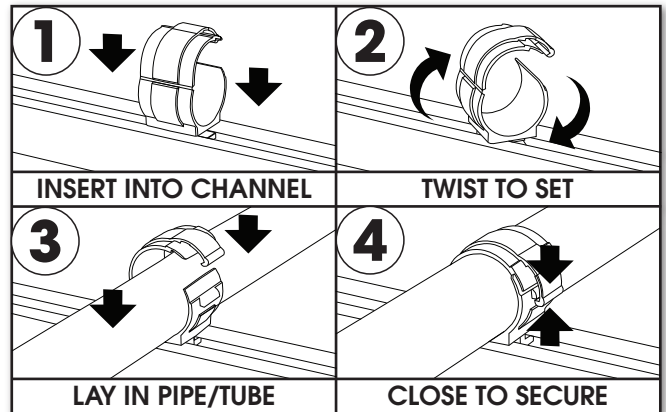
*Add "-100" to the end of part numbers for 100 pieces pack.

Tube OD Calculation for Insulated Pipes:
 Tube OD = Pipe OD + (2 x Insulation Wall Thickness)

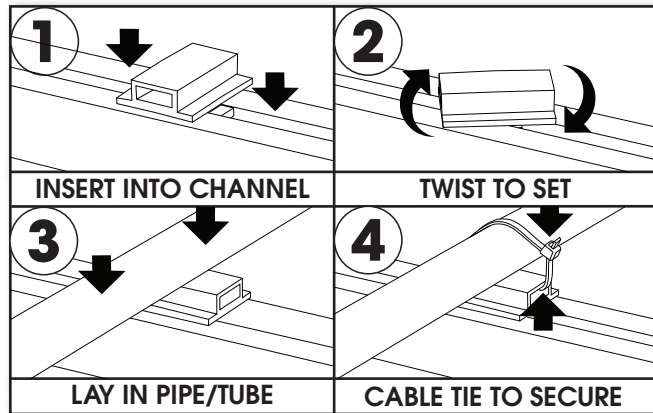
Installation Diagrams



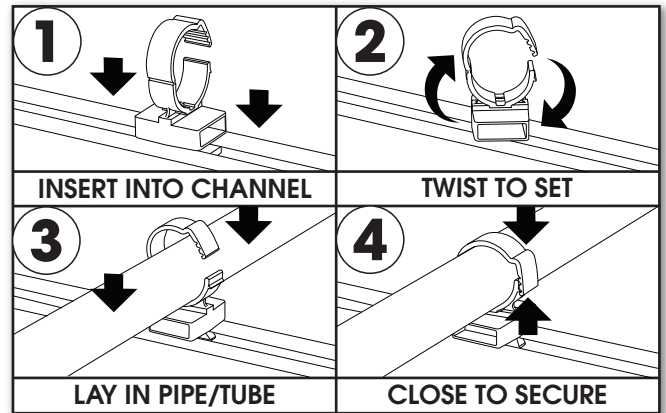
Rapid Positioning Clips



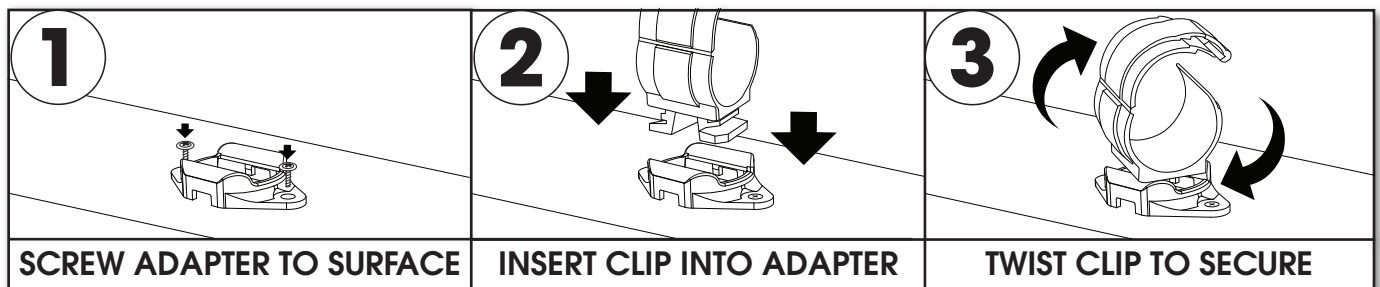
InsulClips



Studded Clips



Cable Tie Channel Clips



(NOTE: Clips are sold separately.)

Flat Surface Mount Adapter