

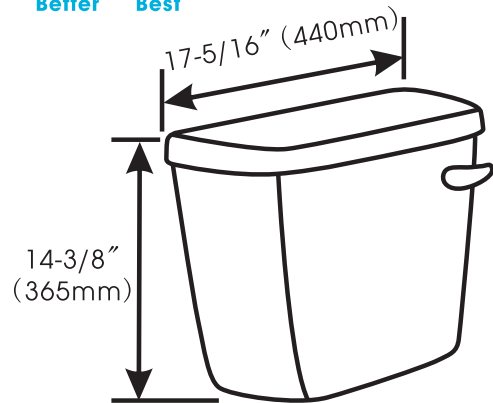
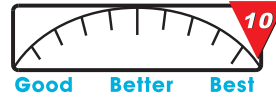


Toilet Tank



MaP Result (Flush)

1000 gram



Fixture dimensions and hydraulic performance meet or exceed ANSI/ASME standard A112.19.2M and CAN/CSA B-45 requirements.



Model	Color
571-8655	White

Delano 1.28GPF HET 3" Flush 12" Rough-In Right Hand Tank

DESCRIPTION

- * Water Saving Unit -- 1.28GPF –
- * Upgrade Fill And Flush Valve System
- * High Performance Flushing System
- * Color Matched Tank Handle
- * Works with Delano Toilet Bowl, 571-6913, 572-5789 & 571-6915
- * ADA compliant when paired with the 571-6915



Project / Job Name			
Architect / Engineer			
Contractor			
Model		Quantity	
Notes :			