

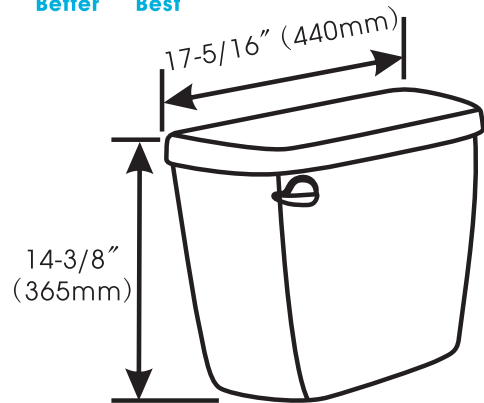
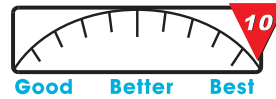


**Toilet Tank**



**MaP Result (Flush)**

1000 gram



Fixture dimensions and hydraulic performance meet or exceed ANSI/ASME standard A112.19.2M and CAN/CSA B-45 requirements.



<b>Model</b>	<b>Color</b>
571-6914	White

**Delano 1.28GPF HET 3" Flush 12" Rough-In Tank**

**DESCRIPTION**

- \* Water Saving Unit -- 1.28GPF –
- \* Upgrade Fill And Flush Valve System
- \* High Performance Flushing System
- \* Color Matched Tank Handle
- \* Works with Delano Toilet Bowl, 571-6913, 572-5789 & 571-6915
- \* ADA compliant when paired with the 571-6915



Project / Job Name			
Architect / Engineer			
Contractor			
Model		Quantity	
Notes :			