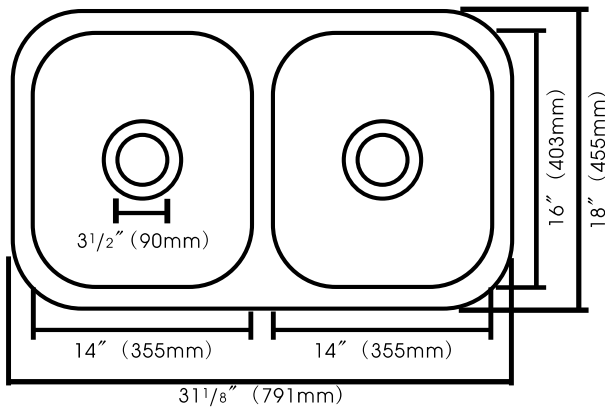


Stainless Steel Kitchen Sink

Under-Mount Double Bowl



Model	Depth	Gauge
481-0590	9"	18G

31" x 18" Under-Mount 50/50 Double Bowl

FEATURES

- * Premium Grade 304 Stainless Steel
- * 9" Depth * 18 Gauge
- * Lustrous Satin
- * Highlighted Rim
- * 3 1/2" Drain Opening
- * Fully Coated Underneath with Heavy Duty Sound Deadening Pads
- * Includes Fasteners and Instructions
- * Cutout Template (DXF File Available)
- * Limited Lifetime Warranty

Project / Job Name			
Architect / Engineer			
Contractor			
Model		Qty	
Notes :			

Optional Accessories



Basket Strainers



Deep Cup Basket Strainers



Garbage Disposal Flange & Stopper



Soap Dispensers