

Noble Series Contractor Three Function Tub and Shower Trim Pack

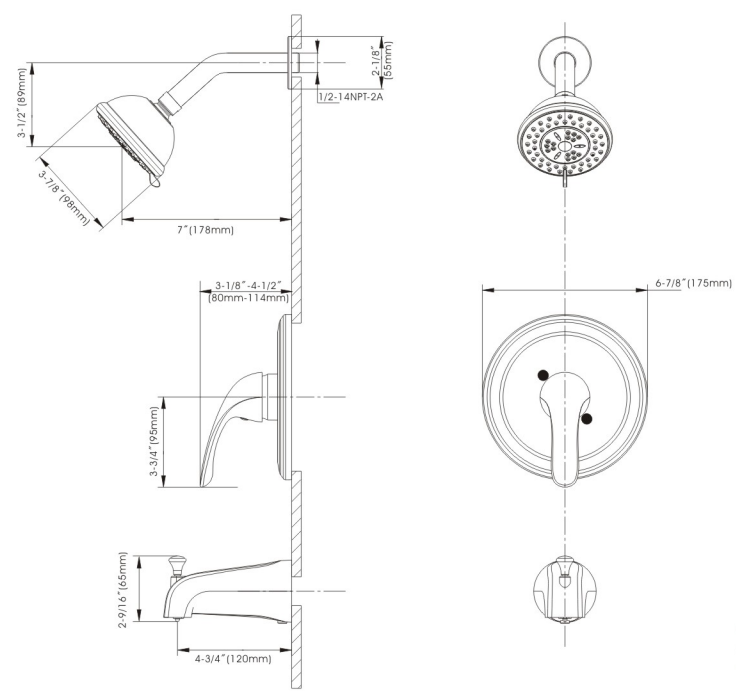


- **Model No. : 212-5901**
- * One Piece Pressure Balanced Ceramic Cartridge with Balancing Spool
- * Back-to-Back Installation Capability
- * 3-7/8" Three Function Shower Head
- * Metal Shower Arm with Flange
- * Metal Escutcheon with Screws
- * Zinc Handle
- * Matching Finish Trim Sleeve
- * 1.5 GPM@80 PSI Shower Head
- * 7.0 GPM@80 PSI Diverter Tub Spout with easy "Snap In" design

Project / Job Name	
Architect / Engineer	
Contractor	
Model	
Quantity	

Model No. :

212-5901 (CH) **(Shown Model)** 212-5902 (BN *Spotless* PVD) 212-5903 (ORB)



Product Compliance:

- ASME A112.18.1 / CSA B125.1
- ANSI A117.1 (ADA)
- ASSE 1016

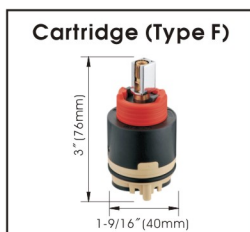
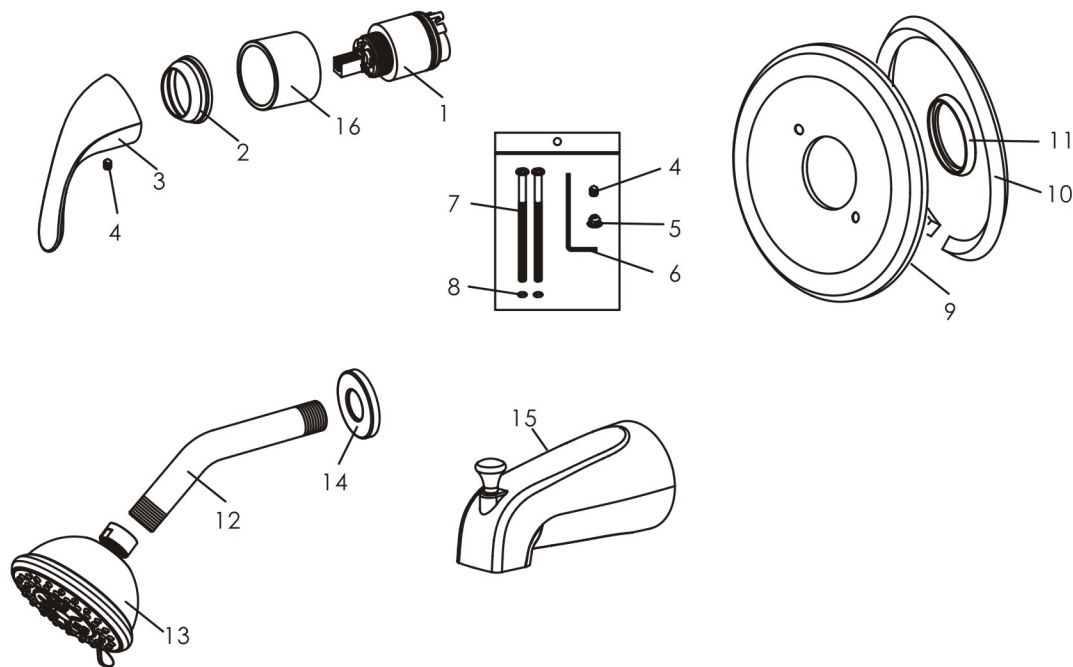
Noble Series Contractor Three Function Tub and Shower Trim Pack

Model No. :

212-5901 (Polished Chrome)

212-5902 (Brushed Nickel *Spotless PVD*)

212-5903 (Oil-Rubbed Bronze)



No.	Part Name	Material
1	Cartridge	Ceramic
2	Cartridge Housing Cap	Zinc
3	Handle	Zinc
4	Screw	Stainless Steel
5	Index	Plastic
6	Allen Key	Steel
7	Screw	Stainless Steel
8	O-ring	Rubber
9	Deck Plate	Stainless Steel
10	Gasket	Sponge
11	Sealing Ring	Rubber
12	Shower Arm	Stainless Steel
13	Shower Head	Plastic
14	Stainless Cap	Stainless Steel
15	Spout	Zinc
16	Cartridge Cover	Brass