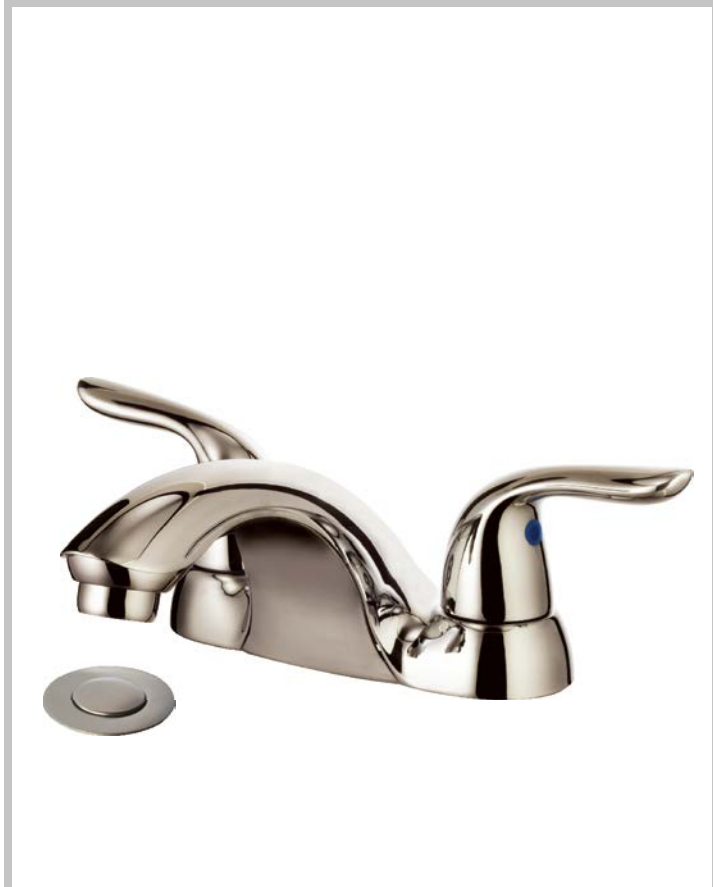


# Noble - Two Handle Bathroom Faucet

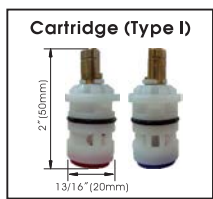
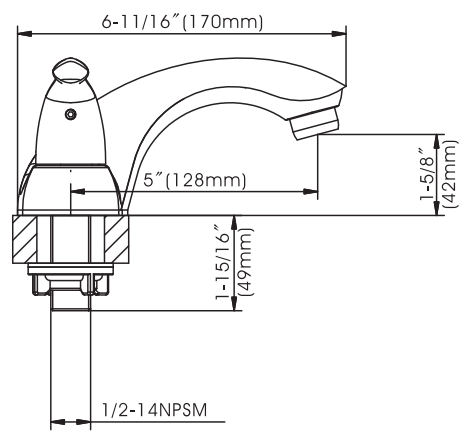
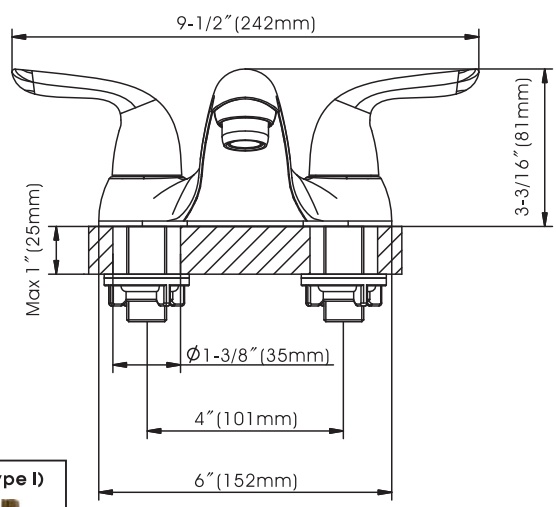


- \* 4" Center-set, 3 Hole Installation
- \* Includes Brass Pop-up Drain
- \* 2pc Zinc Body with Zinc Handle
- \* Brass Waterway Construction with 1/2" -14 NPSM Connection
- \* 1/4 Turn Premium Grade Ceramic Cartridges (Type I)
- \* Flow Rate: 1.2GPM
- \* 100% Pressure System Tested

|                      |  |
|----------------------|--|
| Project / Job Name   |  |
| Architect / Engineer |  |
| Contractor           |  |
| Model                |  |
| Quantity             |  |

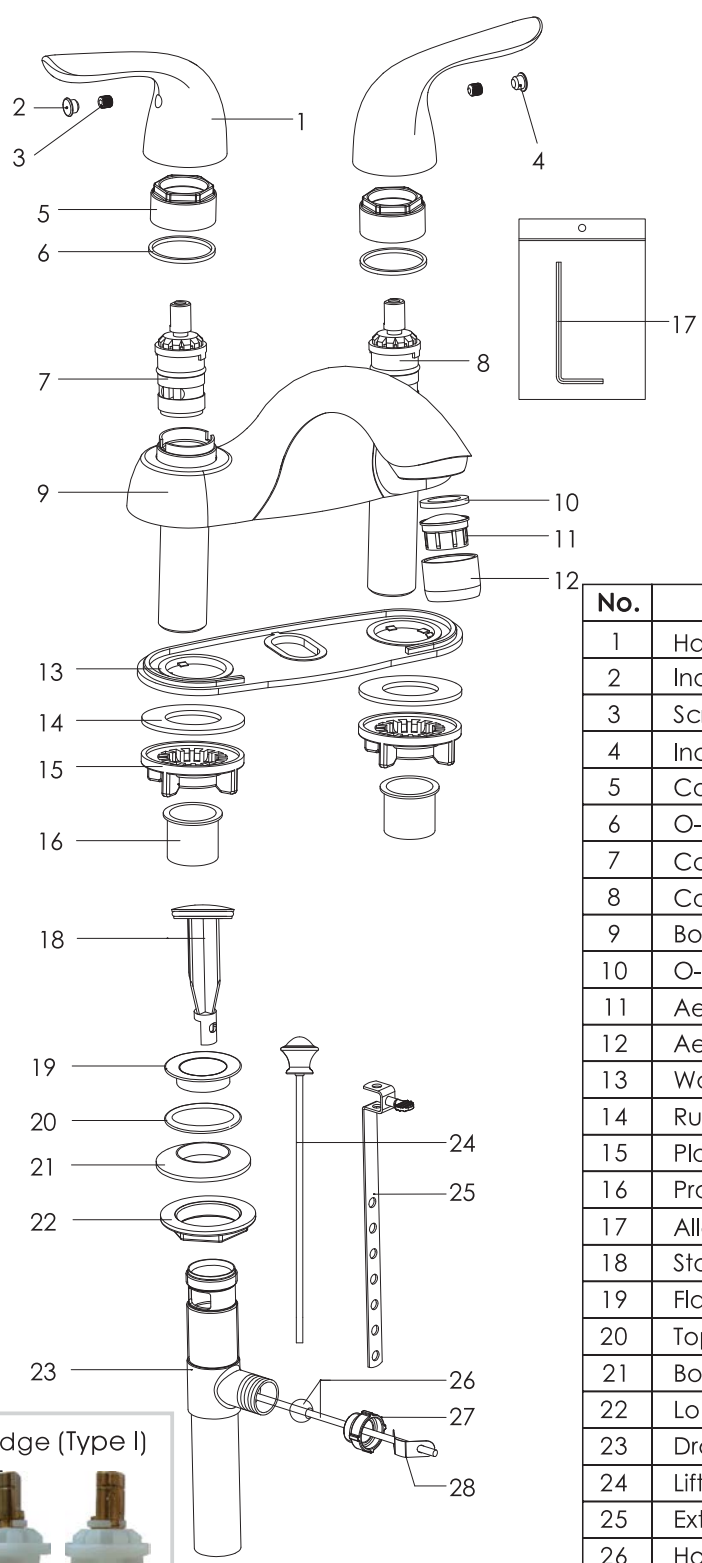
**Model No. :**

201-7695 (CH)       201-7696 (BN *Spotless PVD*) **(Shown Model)**       192-5881 (ORB)



- Product Compliance:**
- ASME A112.18.1 / CSA B125.1
  - NSF 61 - Section 9
  - NSF 372 (Low Lead Content)
  - ANSI A117.1 (ADA)
  - EPA - Water Sense

# Noble - Two Handle Bathroom Faucet



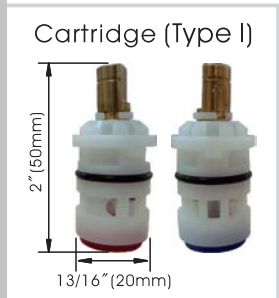
**Model No. :**

201-7695 (Polished Chrome)

201-7696 (Brushed Nickel *Spotless PVD*)

192-5881 (Oil-Rubbed Bronze)

| No. | Part Name             | Material                |
|-----|-----------------------|-------------------------|
| 1   | Handle                | Zinc                    |
| 2   | Index(Red)            | Rubber                  |
| 3   | Screw                 | Stainless Steel         |
| 4   | Index (Blue)          | Rubber                  |
| 5   | Cartridge Lock Nut    | Zinc                    |
| 6   | O-Ring                | Plastic                 |
| 7   | Cartridge(Hot Water)  | Ceramic                 |
| 8   | Cartridge(Cold Water) | Ceramic                 |
| 9   | Body                  | Zinc+Brass              |
| 10  | O-Ring                | Rubber                  |
| 11  | Aerator Core          | Plastic                 |
| 12  | Aerator Collar        | Brass                   |
| 13  | Washer                | Plastic                 |
| 14  | Rubber Washer         | Rubber                  |
| 15  | Plastic Nut           | Plastic                 |
| 16  | Protective Sleeve     | Plastic                 |
| 17  | Allen Key             | Stainless Steel         |
| 18  | Stopper               | Plastic+Stainless Steel |
| 19  | Flange                | Plastic+Stainless Steel |
| 20  | Top Rubber Washer     | Rubber                  |
| 21  | Bottom Rubber Washer  | Rubber                  |
| 22  | Lock Nut              | Plastic                 |
| 23  | Drain Body            | Plastic                 |
| 24  | Lift Rod              | Steel                   |
| 25  | Extend Rod            | Steel                   |
| 26  | Horizontal Rod        | Steel+Plastic           |
| 27  | Rod Guide Nut         | Plastic                 |
| 28  | Spring Clip           | Steel                   |



Technical Support: [warranty@cmiproduct.com](mailto:warranty@cmiproduct.com)  
 Hour of Operation: Mon - Fri 8:30 a.m - 5:00 p.m. EST