

Majestic - Single Handle Kitchen Faucet With Side Spray



- * 3 Hole Installation, Matching Finish
- * Plastic Side Sprayer
- * 9" High and 9" Long 360° Swing Stainless Steel Spout, Zinc Handle
- * Brass Waterway Construction with 1/2" -14 NPSM Connection
- * " Quick Connect " Type 49" Connection Hose
- * Premium Grade Ceramic Cartridge (Type H)
- * Flow Rate: 1.8GPM
- * 100% Pressure System Tested

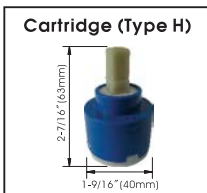
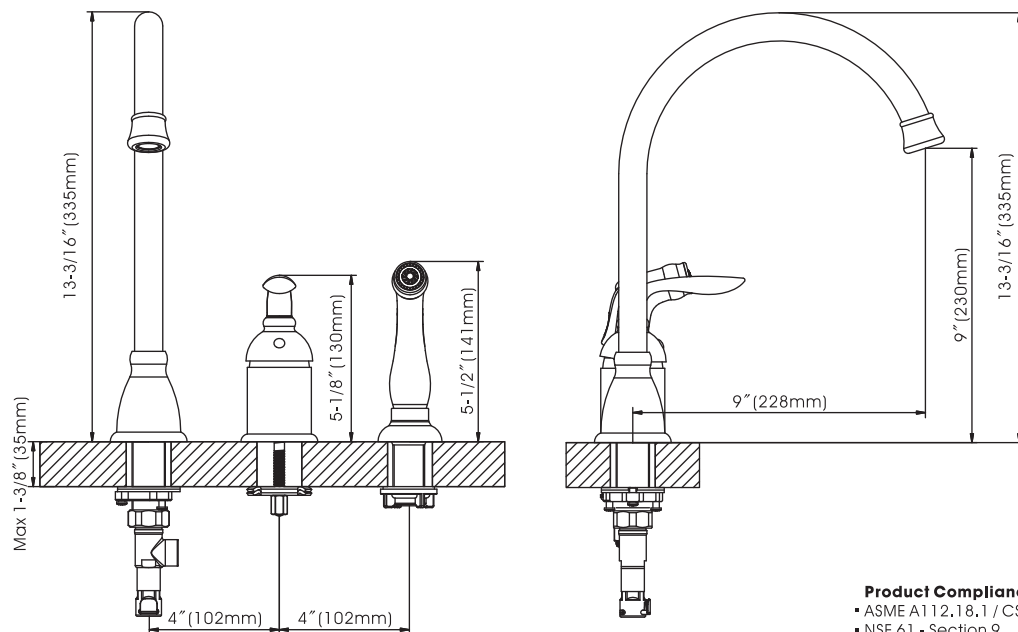
Project / Job Name	
Architect / Engineer	
Contractor	
Model	
Quantity	

Model No. :

191-6614 (CH)

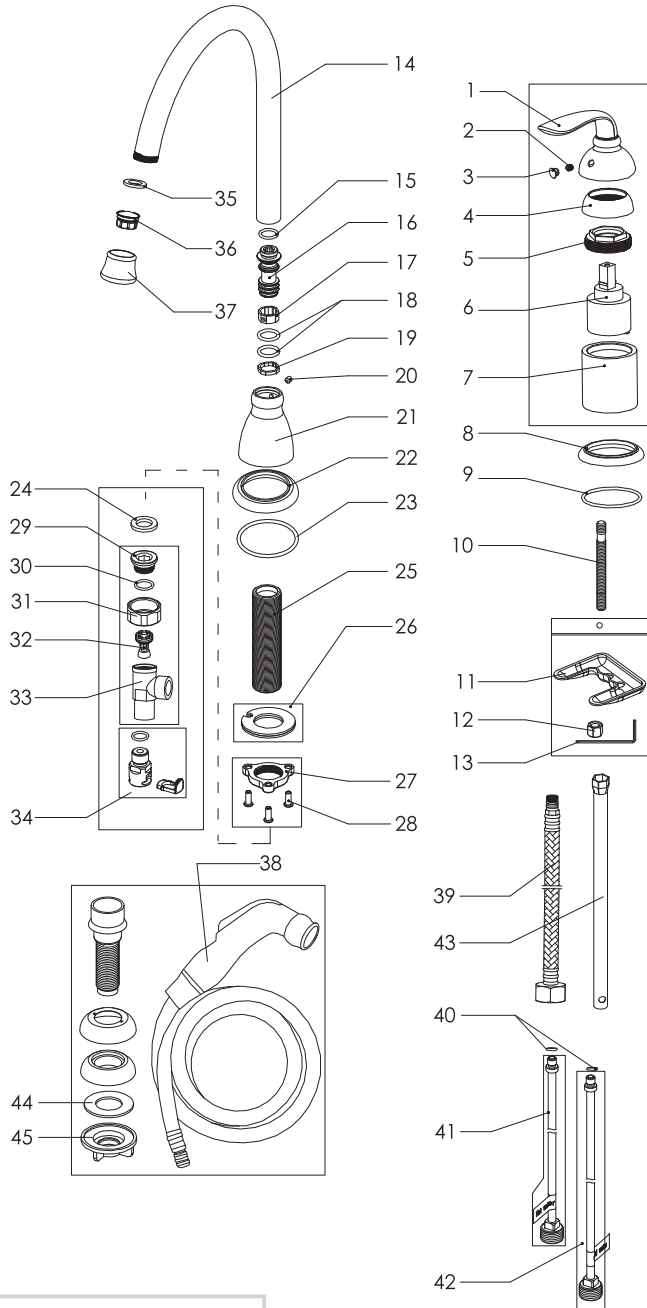
191-6615 (BN *Spotless PVD*)

191-6616 (ORB)
 (Shown Model)



- Product Compliance:**
- ASME A112.18.1 / CSA B125.1
 - NSF 61 - Section 9
 - NSF 372 (Low Lead Content)
 - ANSI A117.1 (ADA)

Majestic - Single Handle Kitchen Faucet With Side Spray



Model No. :

191-6614 (Polished Chrome)

191-6615 (Brushed Nickel **Spotless PVD**)

191-6616 (Oil-Rubbed Bronze)

No.	Part Name	Material
1	Handle	Zinc
2	Set Screw	Stainless Steel
3	Index	Plastic
4	Trim Cap	Plastic
5	Cartridge LockNut	Stainless Steel
6	Cartridge	Ceramic
7	Cartridge Sleeve	Brass
8	Flange	Brass
9	O-Ring	Rubber
10	Bolt	Stainless Steel
11	Clamp	Steel
12	Locknut	Stainless Steel
13	Allen Key	Stainless Steel
14	Spout	Brass
15	O-Ring	Rubber
16	Spout Connector	Brass
17	Retainer	Plastic
18	O-ring	Rubber
19	Retainer	Plastic
20	Set Screw	Stainless Steel
21	Spout Nut	Zinc
22	Hub Base	Zinc
23	O-Ring	Plastic
24	Washer	Plastic
25	Shank	Brass
26	Clamp	Rubber+Stainless Steel
27	Locknut	Zinc
28	Screw	Stainless Steel
29	Inlet Adapter	Brass
30	O-Ring	Rubber
31	Nut	Brass
32	Diverter	Plastic+Brass
33	Diverter Seat	Brass
34	Quick Connect Assembly	Plastic
35	Aerator Washer	Rubber
36	Aerator Core	Plastic
37	Aerator Collar	Brass
38	Side Spray	Plastic
39	Connect Hose	Stainless Steel
40	O-Ring	Rubber
41	Copper Tube	Brass
42	Copper Tube	Brass
43	Socket Wrench	Steel
44	Washer	Rubber
45	Plastic Lock Nut	Plastic

Cartridge (Type H)



Technical Support: warranty@cmiproduct.com
 Hour of Operation: Mon - Fri 8:30 a.m - 5:00 p.m. EST