



## LIMITED LIFETIME WARRANTY

Compass Manufacturing International warrants to the original consumer purchaser that the faucet be free from defects in material and workmanship for as long as the original consumer purchaser owns the home in which the faucet was first installed.

In the event that Freendo faucets are used in a Commercial Application, this warranty is limited for a period of 5 years, unless otherwise specifically stated in the catalog and/or price book.

Compass Manufacturing International will replace, free of charge, during the applicable warranty period, any part or finish that proves defective in material and/or workmanship under normal installation, use and service. This warranty shall not apply to goods which have been subject to accidents, negligence or improper installation. Compass Manufacturing International will not be liable for other damages or losses, including, but not limited to: labor charges and/or damages incurred in installation, repair or replacement as well as any other kind of loss or damage. Proof of purchase from the original consumer purchaser must be made available for all warranty claims.

Compass Manufacturing International recommends using a professional plumber for all installation and repair. Compass Manufacturing International will, at its discretion, provide replacement parts for installation by consumer for any parts that prove defective under normal usage and service with new or equivalent parts. Replacement parts may be obtained by emailing the address below, calling the number below or by writing to:

### Compass Manufacturing International

Freendo Product Service

6702 Enterprise Drive

Louisville, KY 40214

800.626.3525

[warranty@cmiproduct.com](mailto:warranty@cmiproduct.com)

Revised 4/28/16

[warranty@cmiproduct.com](mailto:warranty@cmiproduct.com)

© Compass Manufacturing International

800.626.3525



Model No. : 191-7697 Polished Chrome  
191-7698 Brushed Nickel *Spotless PVD*  
192-5882 Oil-Rubbed Bronze



## Single Handle High Arc Pull-Down Kitchen Faucet

3 Hole or Single Hole Installation



## Helpful Information

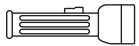
### Helpful Tools

#### Tools:

Gather the necessary tools as shown below to complete the installation of this faucet. Some may not be needed depending on the model of faucet you are installing. Check with your local hardware store on the requirements of your installation situation.



Plumbers Putty



Flashlight



Basin Wrench



Safety Glasses



Screwdriver



Pliers



Channel Locks



Adjustable Wrench

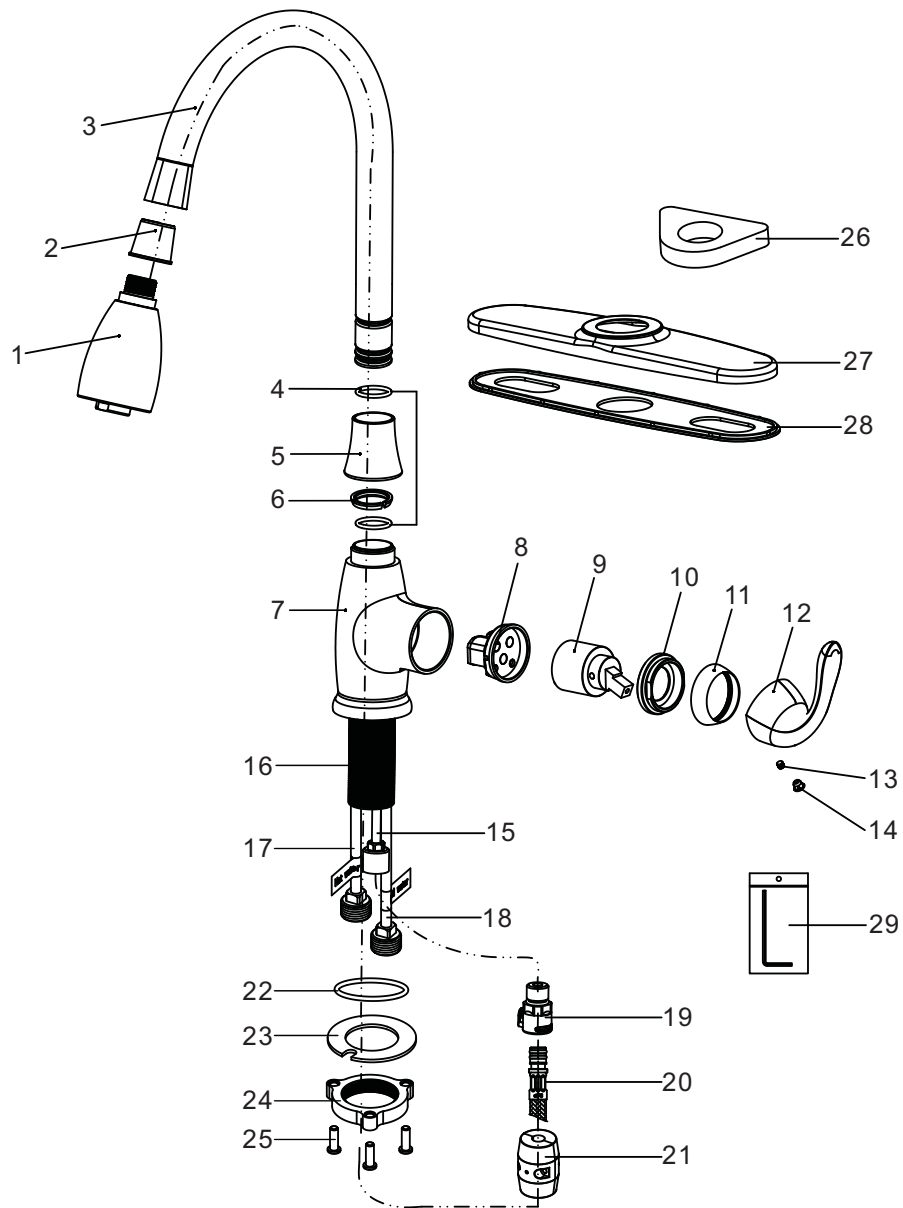
## 5

## Parts List

29	Allen Key
28	Putty Plate
27	Deck Plate
26	Plastic Base
25	Screw
24	Locknut
23	Clamp
22	O-ring
21	Weight
20	Pull-out Hose
19	Quick Connect Assembly
18	Copper Tube
17	Copper Tube
16	Shank
15	Copper Tube
14	Handle Button
13	Set Screw
12	Handle
11	Trim Cap
10	Cartridge Locknut
9	Cartridge
8	Cartridge Seat
7	Body
6	Wearing Ring
5	Hub Nut
4	O-ring
3	Spout
2	Spout Hub Bushing
1	Spray
<b>No.</b>	<b>Part Name</b>

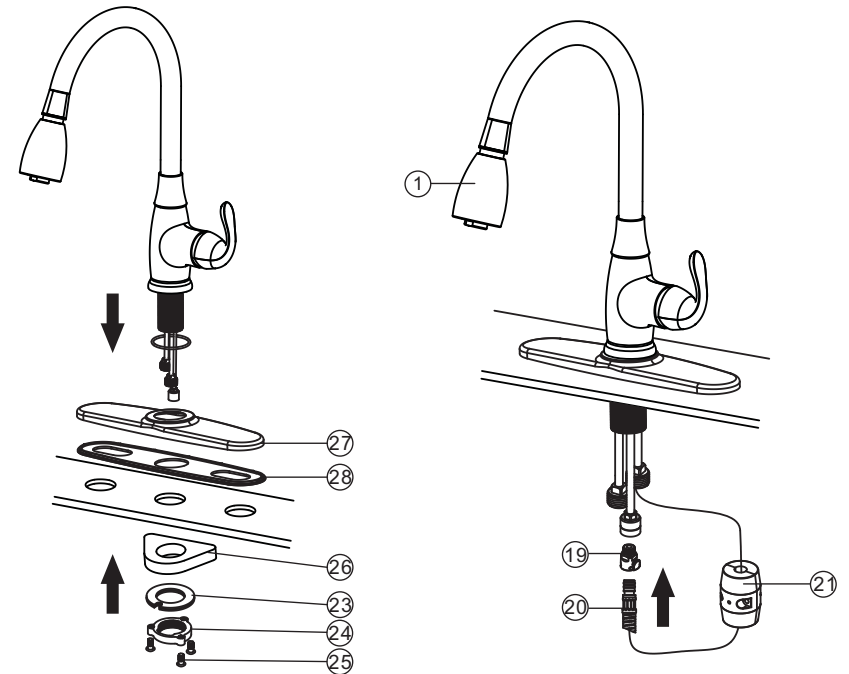
4

## Parts Diagram



1

## Install With Deck Plate

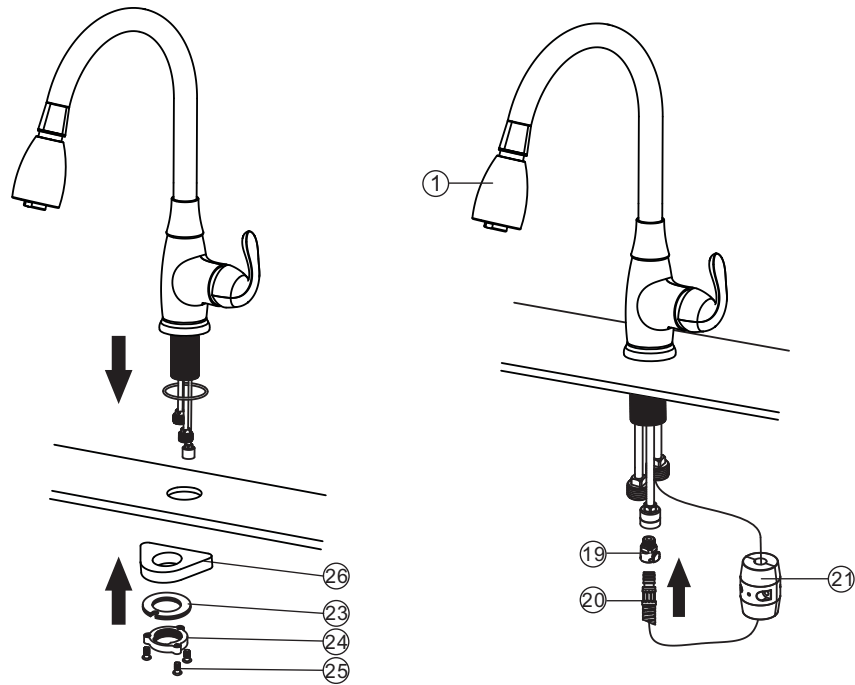


## Install With Deck Plate

1. Assemble deck plate 27 and putty plate 28 to faucet.
2. Position faucet on sink.
3. From underside of sink, assemble plastic base 26, clamp 23 and locknut 24 and screw 25. Tighten the locknut by hand and secure the screws with screwdriver.
4. Connect pull-out hose 20 to quick connect assembly 19.  
**CAUTION:** Make sure hose is properly engaged and secure in faucet quick connect assembly.
5. Fix the weight 21 to the pull-out hose 20.
6. Connect supply lines to water supply valve. (supply valves and supply lines are not included, please purchase them in local plumbing shops).  
**CAUTION: DON'T OVER TIGHTEN THE SUPPLY LINES. OTHERWISE IT MIGHT DAMAGE THE WASHERS AND NUTS OF SUPPLY LINES AND CAUSE LEAK.**
7. Remove spray 1 from faucet and flush water through faucet to remove any line trash.
8. Replace spray 1 and run water through faucet for checking leaks at all connections.

**2**

## Install Without Deck Plate

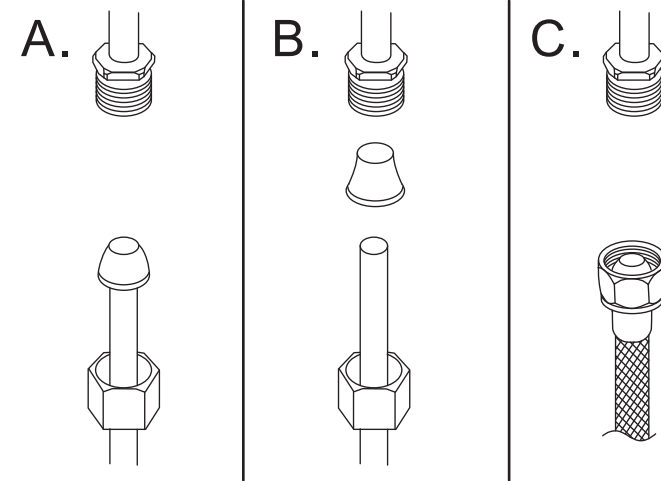


### Install Without Deck Plate :

1. Position faucet on sink.
2. From underside of sink, assemble plastic base ②⑥, clamp ②③ and locknut ②④ and screw ②⑤. Tighten the locknut by hand and secure the screws with screwdriver.
3. Connect pull-out hose ②⑩ to quick connect assembly ①⑨.  
CAUTION: Make sure hose is properly engaged and secure in faucet quick connect assembly.
4. Fix the weight ②⑪ to the pull-out hose ②⑩.
5. Connect supply lines to water supply valve. (supply valves and supply lines are not included).  
CAUTION: DON'T OVER TIGHTEN THE SUPPLY LINES. OTHERWISE IT MIGHT DAMAGE THE WASHERS AND NUTS OF SUPPLY LINES AND CAUSE LEAK.
6. Remove spray ① from faucet and flush water through faucet to remove any line trash.
7. Replace spray ① and run water through faucet for checking leaks at all connections.

**3**

## Configuration

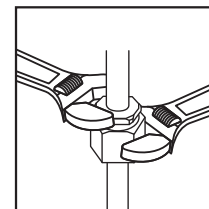


- Connect to water supply lines with either:
- (A) 3/8" O.D. Copper tubing (ball nose risers with the coupling nuts or;
  - (B) 3/8" Copper tubing (no ball) with supplied tube head interior connector or;
  - (C) IPS faucet connectors (1/2" )



### Warning:

The supply valves and supply lines are not included.



### Important:

Tighten connection with two wrench to prevent damage to tube body. Be careful not to bend the stem as this will void the product warranty.